

REV.	DESCRIPTION	DRAWN	CHECKED	APPROVED
A	NEW RELEASE	LL 06/26/06'		LJC 06/26/06'
B	PLATING CHANGE	JLZ 07/20/15'	HZW 07/20/15'	LJC 07/20/15'

SPECIFICATION

1. Insulation Resistance:1000MΩ Min.
2. Withstand Voltage:500V AC/Minute.
3. Durability:600 Mating Cycles Min.
4. Product Number Code:

DS1133-01-X X X X X X

Ear Support
S:W/ Ear
X:W/O Ear

Housing Materials
P:PBT
N:NYLON

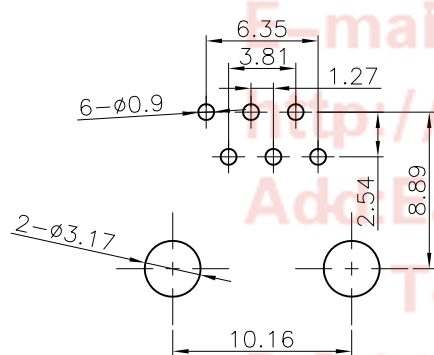
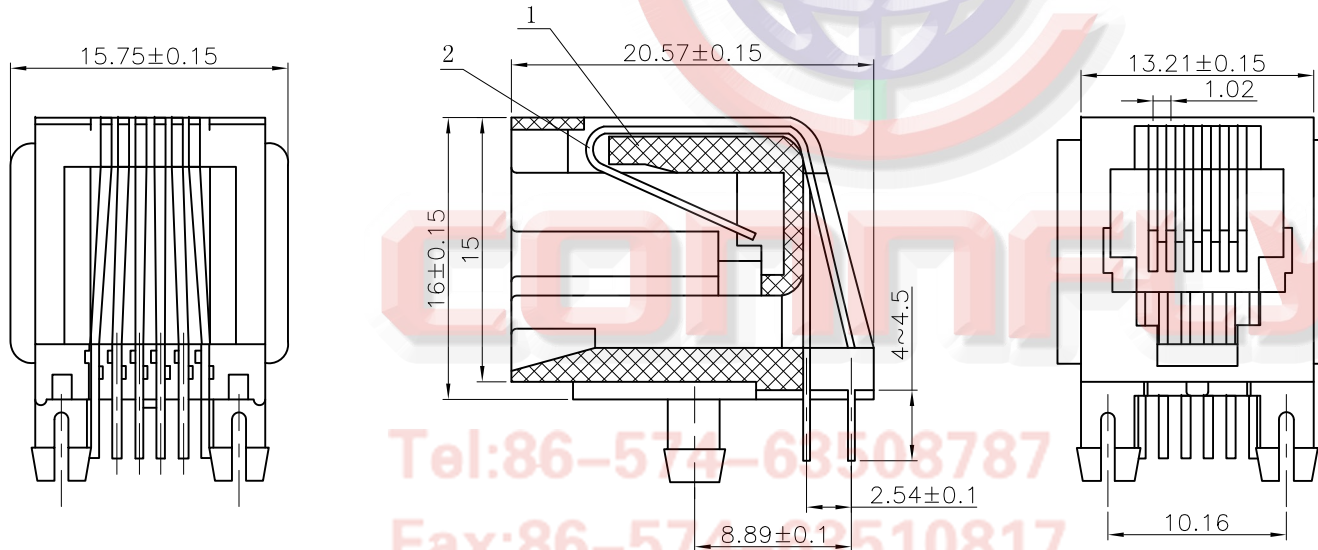
Housing Color
B:Black

Contact Plating
0:Selective gold flash (B)
3:3u" Gold
6:6u" Gold
15:15u" Gold
30:30u" Gold

No.Of Contacts
4:6P4C
6:6P6C

Connector Type
S:Socket

Series No.
DS1133-01



RECOMMEND PCB LAYOUT
TOLERANCE=±0.05mm

Tel:86-574-63503787

Fax:86-574-83510817

E-mail:sale@connfly.com

http://www.connfly.com

Address: East Industry Zone KuangYan

Town Cixi Ningbo China

P.C:315333

GENERAL TOLERANCE		ANGLE TOLERANCE	
X.	±0.60	X.	±5°
.X	±0.38	.X	±3°
.XX	±0.25	.XX	±2°

PROJECTION	TITLE	PCB JACK 6P	
	mm		
UNITS	A4	SERIES	DS1133-01 SERIES

(2)	PIN	PHOSPHOR BRONZE	GOLD-PLATING OVER NICKEL
(1)	HOUSING	1	PBT OR NYLON
No.	PART NAME	Q'TY	MATERAIL

DRAWING TYPE	CUSTOMER		
SCALE	1:1	SHEET	1 OF 1
DRAWING NO.	C-DS1133-01-XXXXXX-B		

晨翔电子有限公司
CONNFLY CONNFLY ELECTRONIC CO. LTD