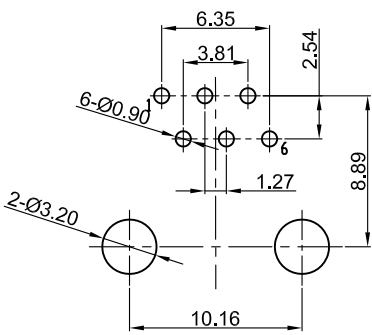
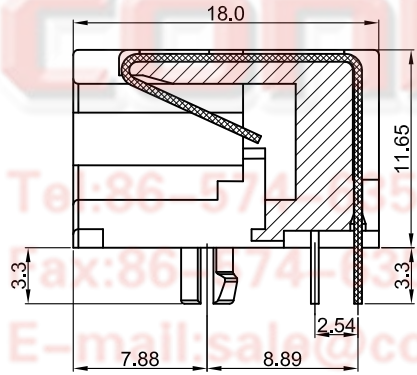
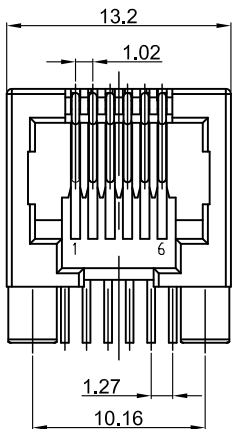
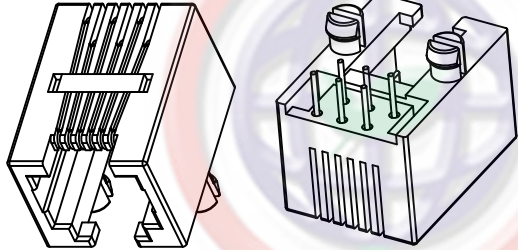
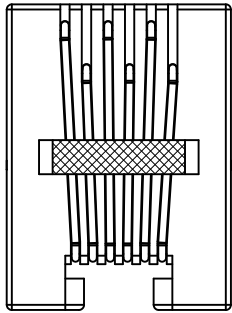


Dept
Qty
DC 1
ED 1
IE 1
ISO 1
PD 1
R&D 1
SD 1
QA 1
QC 1
QE 1

The information provided herein is from CONNELY Electronic Co., Ltd. and is confidential. Any disclosure to a party other than the recipient is prohibited. The intellectual properties and its rights contained herein, including but not limited to, trademarks, patents, copyrights, trade secrets, and technical know-how, are owned exclusively by CONNELY or its affiliates. Unauthorized use of this information in any format or manner, CONNELY may enforce its intellectual property rights at its own discretion; failures or delays to exercise such rights does not constitute a waiver of such rights.

REV.	DESCRIPTION	DRAWN	CHECKED	APPROVED
A	NEW RELEASE	YCH 02/27/09'		LJC 02/27/09'
B	DRAWING UPDATE	JLZ 06/28/19'		



RECOMMEND PCB LAYOUT
TOLERANCE=±0.05mm

- Notes:
- Electrical Characteristics:
 - Contact Resistance: 20mΩ Max.
 - Dielectric Withstanding Voltage: 1000V AC(rms) For 1 Minute.
 - Insulation Resistance: 1000MΩ Min.
 - Current Rating: 1.5A.
 - Voltage Rating: 125V AC rms.
 - Environment Characteristics:
 - Temperature: -40°C~+85°C.
 - Materials:
 - Contact Material: Copper Alloy.
 - Contact Plating: Gold Plating Over Nickel.
 - Insulator Materials: PBT, UL94-V0.
 - Product Number Code:

DS1133-03-X X X X X

- Ear Support
X:W/O Ear
- Housing Color
A:Gray B:Black
- Contact Plating
0:Gold Flash
3:3u" Gold
(6;15;30)Micro Inch
- No.Of Contacts
6:6P6C 4:6P4C
- Connector Type
S:Socket

Tel:86-574-3508787
Fax:86-574-3510817
E-mail:sales@connfly.com
http://www.connfly.com
Add:East Industry Zone KuangYan
Town Cixi Ningbo China
P.C:315333

GENERAL TOLERANCE		ANGLE TOLERANCE	
X.	±0.60	X.	±5°
.X	±0.38	.X	±3°
.XX	±0.25	.XX	±2°

PROJECTION	TITLE
	PCB JACK 6p
UNITS	mm
SHEET SIZE	A4
SERIES	DS1133-03 SERIES

DRAWING TYPE	CUSTOMER
SCALE	1:1 SHEET 1 OF 1
DRAWING NO.	C-DS1133-03-XXXXX-B

晨翔电子有限公司
CONNFLY CONNELY ELECTRONIC CO. LTD