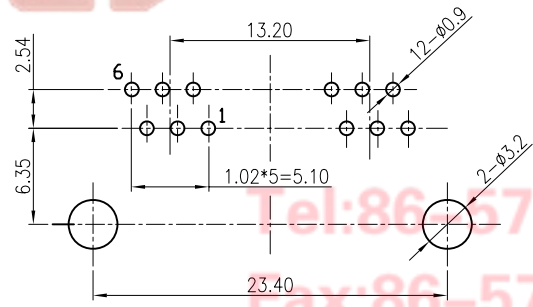
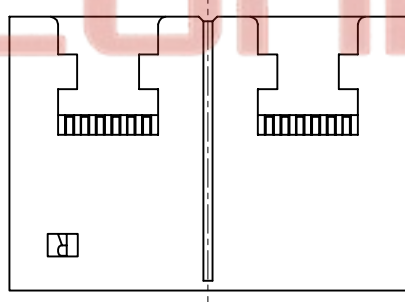
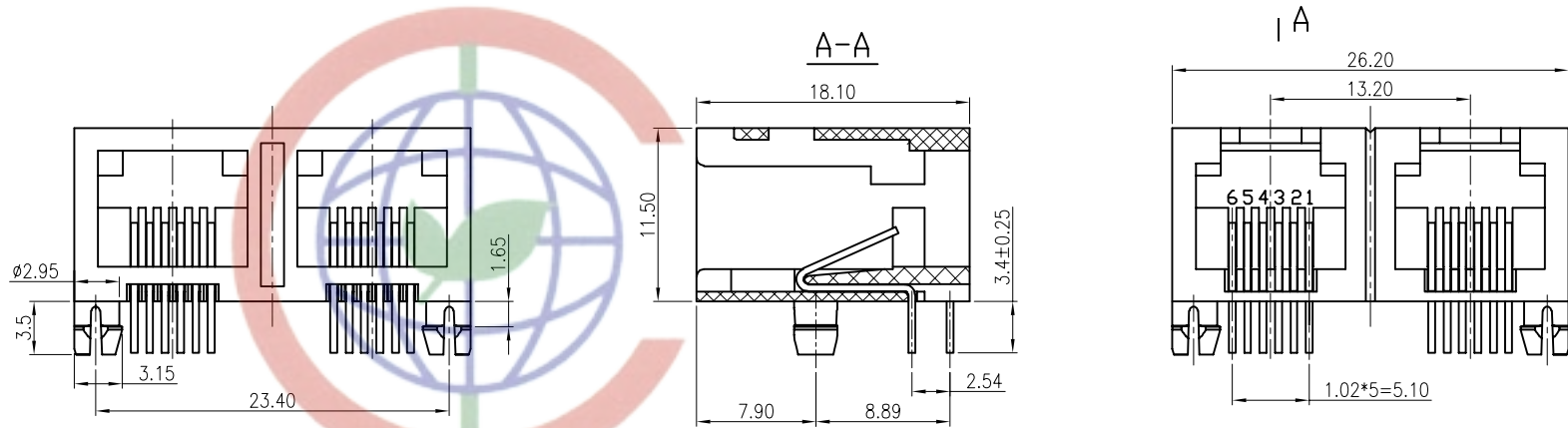


REV.	DESCRIPTION	DRAWN	CHECKED	APPROVED
A	NEW RELEASE	LJC 03/23/12'	~	



RECOMMEND PCB LAYOUT
TOLERANCE=±0.05

SPECIFICATION

1. Insulation Resistance:1000MΩ Min.
2. Withstand Voltage:500V AC/Minute.
3. Durability:600 Mating Cycles Min.
4. Product Number Code:

DS1133-05X X X X X

- Housing Materials
P:PBT
N:NYLON
- Housing Color
A:Gray
B:Black
- Contact Plating
0:Gold Flash
3:Selective 3u" Gold
- No.Of Contacts
6:6P6C 4:6P4C
- Connector Type
S:Socket

GENERAL TOLERANCE		ANGLE TOLERANCE		PROJECTION		TITLE	PCB JACK 6P 1*2 PORT
X.	±0.60	X.	±5'	UNITS	mm		R/A TYPE
.X	±0.38	.X	±3'	SHEET SIZE	A4	SERIES	DS1133-05 SERIES
.XX	±0.25	.XX	±2'	晨翔电子有限公司 CONNFLY CONNFLY ELECTRONIC CO. LTD			
DRAWING TYPE		CUSTOMER					
SCALE		1:1 SHEET 1 OF 1					
DRAWING NO.		C-DS1133-05-XXXXX					