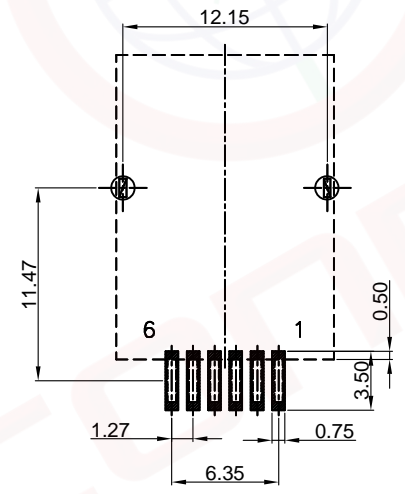
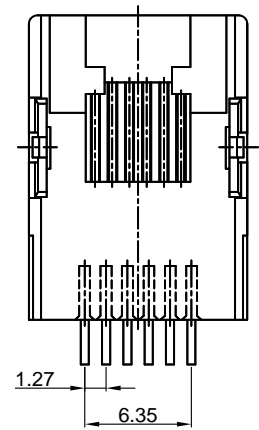
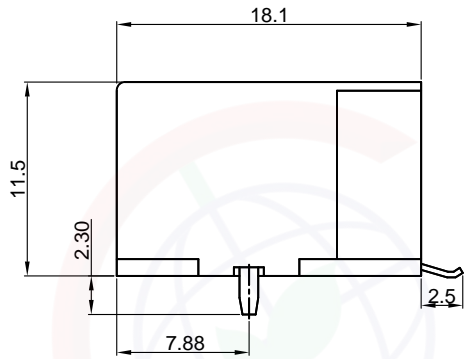
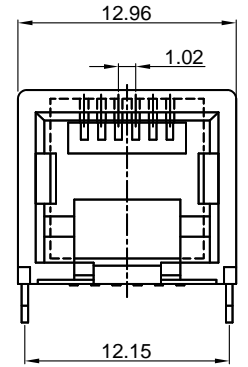


Dept	
Qty	
DC	1
ED	1
IE	1
ISO	1
PD	1
R&D	1
SD	1
QA	1
QC	1
QE	1

The information provided herein is from CONNELY Electronic Co., Ltd. and is confidential. Any disclosure to a party other than the recipient is prohibited. The intellectual properties and its rights contained herein, including but not limited to, trademarks, patents, copyrights, trade secrets, and technical know-how, are owned exclusively by CONNELY or its affiliates. Unauthorized use or reproduction of any part of this document is strictly prohibited. CONNELY may enforce its intellectual property rights at its own discretion, failures or delays to exercise such rights does not constitute a waiver of such rights.

REV.	DESCRIPTION	DRAWN	CHECKED	APPROVED
A	NEW RELEASE	JLZ 08/10/18'		
B	DRAWING UPDATE	JLZ 11/11/21'		



Recommend PCB layout
Tolerance:±0.05mm

NOTES:

- Electrical characteristics:
 - Contact resistance: 30mΩ Max.
 - Dielectric withstanding voltage: 500V AC(rms) for 1 minute.
 - Insulation resistance:500MΩ Min.
 - Current rating:1.5A.
 - Voltage rating:125V AC rms.
- Environment characteristics:
 - Temperature: -40°C~+85°C.
- Materials
 - Contact material: Copper alloy.
 - Contact plating: Selective gold flash.
 - Insulator material:High-temp Plastic.
- Product number code:
DS1133-14 - X X X X X
 - Packing Type
 - R:Tape on reel
 - T:Tray
 - Housing Material
 - P:High-temp Plastic
 - Housing Color
 - B:Black
 - Contact Plating
 - 0:Selective gold flash
 - Connector Type
 - S:Socket
 - No.Of Contacts
 - 6:6p6c

GENERAL TOLERANCE		ANGLE TOLERANCE		PROJECTION		TITLE	
X.	±0.60	X.	±5°	UNITS	mm	PCB JACK 6p6c W/ Shell SMT Type	
.X	±0.38	.X	±3°	SHEET SIZE	A4	SERIES	DS1133-14 SERIES
.XX	±0.25	.XX	±2°	晨翔电子有限公司 CONNFLY CONNFLY ELECTRONIC CO. LTD			
DRAWING TYPE		CUSTOMER					
SCALE	1:1	SHEET	1 OF 1				
DRAWING NO.		C-DS1133-14-XXXXX-B					