

REV.	DESCRIPTION	DRAWN	CHECKED	APPROVED
A	NEW RELEASE	LL 06/26/06'		LJC 06/26/06'
B	Plating description change	JLZ 07/20/15'	HZW 07/20/15'	LJC 07/20/15'

SPECIFICATION

1. Insulation Resistance:1000MΩ Min.
2. Withstand Voltage:500V AC/Minute.
3. Durability:600 Mating Cycles Min.
4. Product Number Code:

DS1134-02-X X X X X

Ear Support  
S:W/ Ear  
X:W/O Ear

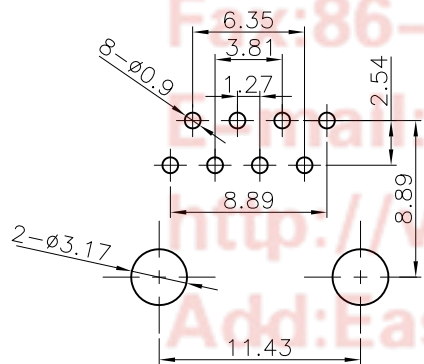
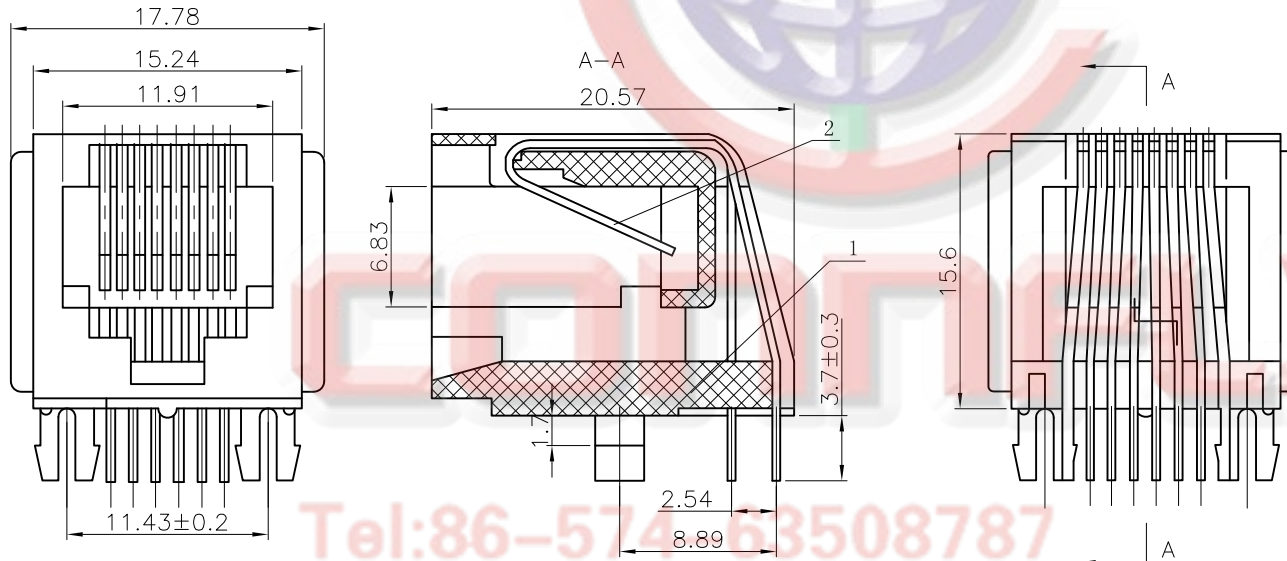
Housing Materials  
P:PBT  
N:NYLON  
Housing Color  
B:Black

Contact Plating  
0:Selective gold flash  
3:Selective 3u" Gold  
(6;15;30)Micro Inch

No.Of Contacts  
8:8P8C

Connector Type  
S:Socket

Series No.  
DS1134-02



RECOMMEND PCB LAYOUT(TOLERANCE=±0.05)

GENERAL TOLERANCE		ANGLE TOLERANCE	
X.	±0.60	X.	±5°
.X	±0.38	.X	±3°
.XX	±0.25	.XX	±2°

PROJECTION	TITLE	PCB JACK 8P	
	mm		
UNITS	A4	SERIES	DS1134-02 SERIES

No.	PART NAME	Q'TY	MATERAIL	REMARK
(2)	PIN		PHOSPHOR BRONZE	Selective gold flash
(1)	HOUSING	1	PBT OR NYLON	UL94 V-0 OR 94 V-2

DRAWING TYPE	CUSTOMER
SCALE	1:1 SHEET 1 OF 1
DRAWING NO.	C-DS1134-02-XXXXXX-B

晨翔电子有限公司  
CONNFLY CONNFLY ELECTRONIC CO. LTD

Tel:86-574-63508787  
Fax:86-574-63510817  
Email:sale@connfly.com  
http://www.connfly.com  
Add:East Industry Zone, Kuyang  
Town, Cixi, Ningbo, China  
P.C:315333