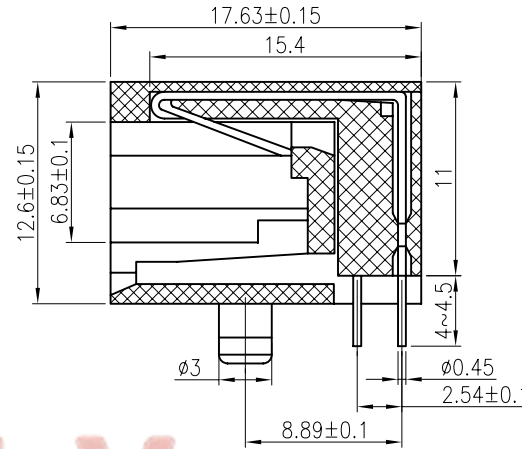
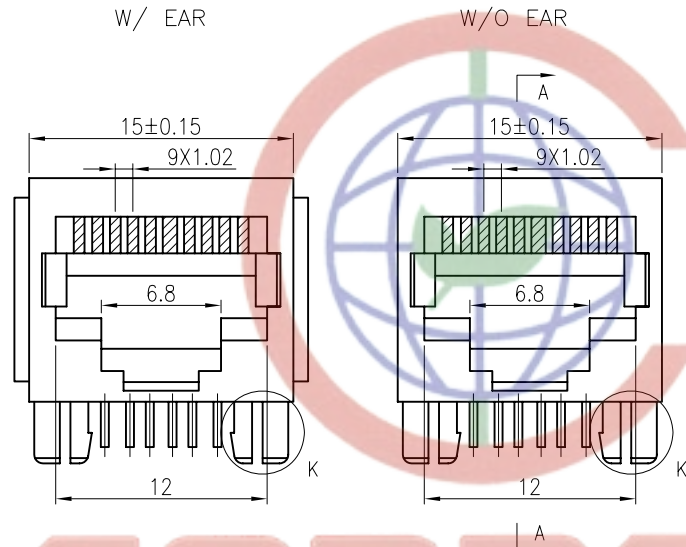


REV.	DESCRIPTION	DRAWN	CHECKED	APPROVED
A	NEW RELEASE	LL 06/26/06'		



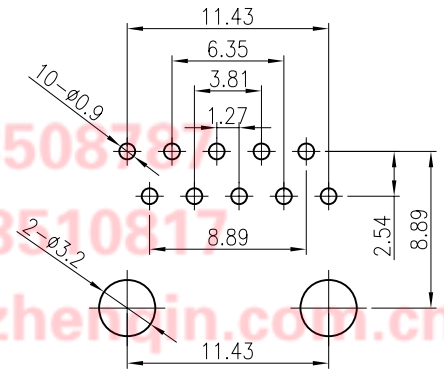
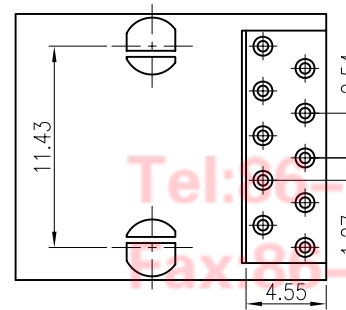
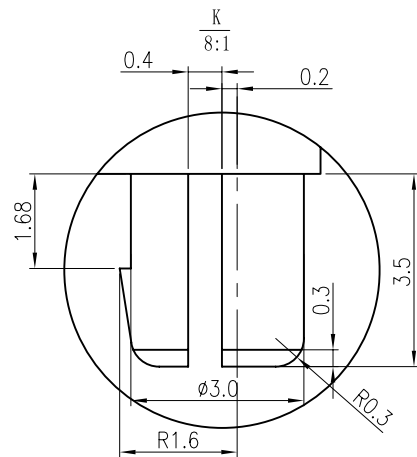
SPECIFICATION

1. Insulation Resistance:1000MΩ Min.
2. Withstand Voltage:500V AC/Minute.
3. Durability:600 Mating Cycles Min.
4. Product Number Code:

DS1135-X X X X X

- Ear Support
- S:W/ Ear
- X:W/O Ear
- Housing Materials
- P:PBT
- N:NYLON
- Housing Color
- B:Black
- Contact Plating
- 0:Gold Flash
- 3:Selective 3u" Gold
- (6;15;30)Micro Inch
- No.Of Contacts
- 10:10P10C
- 8:10P8C
- Connector Type
- S:Socket

CONNFLY



RECOMMEND PCB LAYOUT(TOLERANCE=±0.05)

GENERAL TOLERANCE		ANGLE TOLERANCE		PROJECTION		TITLE	PCB JACK 10P					
X.	±0.60	X.	±5'	UNITS	mm	SHEET	DS1135 SERIES					
.X	±0.38	.X	±3'	SHEET SIZE	A4							
.XX	±0.25	.XX	±2'									
DRAWING TYPE		CUSTOMER		晨翔电子有限公司 CONNFLY CONNFLY ELECTRONIC CO. LTD								
SCALE		1:1							SHEET		1 OF 1	
DRAWING NO.		C-DS1135-XXXXXX										