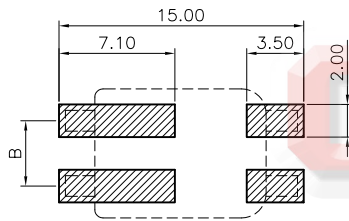
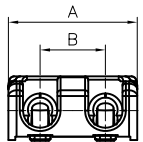
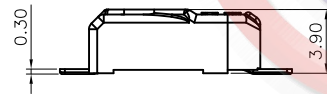
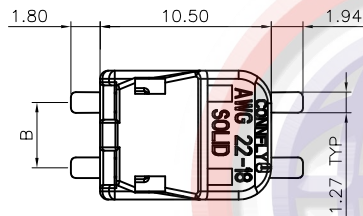
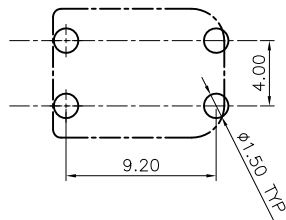
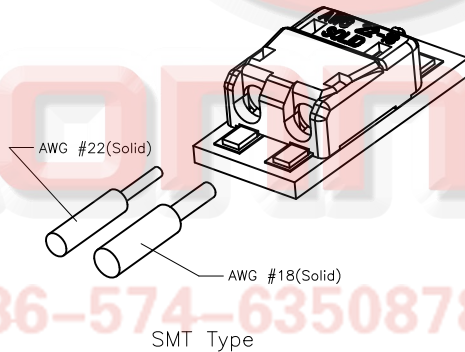


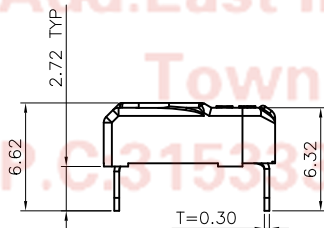
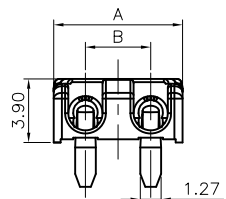
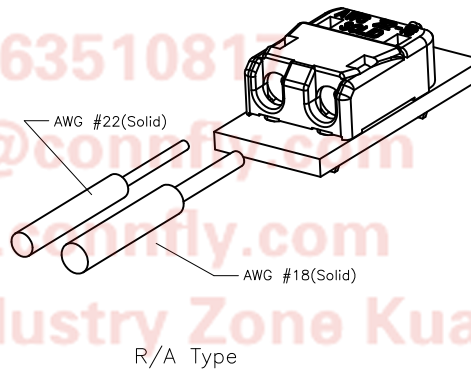
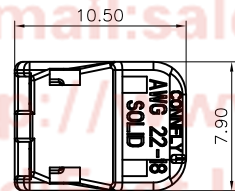
Positions	A(mm)	B(mm)
1	3.90	
2	7.90	4.00
3	11.90	8.00



RECOMMEND PCB LAYOUT
TOLERANCE=±0.05mm



RECOMMEND PCB LAYOUT
TOLERANCE=±0.05mm



REV.	DESCRIPTION	DRAWN	CHECKED	APPROVED
A	NEW RELEASE	Kevin 03/09/15'	Andy_H 03/09/15'	LJC 03/09/15'

NOTES:

1.Materials:

- 1.1. Insulator: High Temperature 260°C,UL94-HB or V0 Rated, color of white or black.RoHS,REACH compliance.
- 1.2. Pin: Phosphor Bronze, Plating Matt Tin or Gold.

2.Specifications:

- 2.1. Temperature Range: -40~+105°C.
- 2.2. Contact Resistance: 20mΩ maximum.
- 2.3. Insulation Resistance: 1000MΩ minimum.
- 2.4. Dielectric Withstanding Voltage: 1000V AC 1 minute.
- 2.5. Voltage Rating: 320V AC/DC.
- 2.6. Current Rating: 9A max per pin.
- 2.7. Application Wire Range: AWG #22-18(0.2~0.75mm). Conductor is Single Type.
- 2.8. Resistance to soldering heat: 260°C,3-5seconds.
- 2.9. Durability: 1000 cycles min.
- 2.10. Packing Type: 13" Tape On Reel

3. Product Number Code:

DS1137-08 - X X X X X X

- Packing Type
R: Tape On Reel.
- Pin plating
6: Full tin.
8: Full gold flash.
- Housing Color
A: Gray
B: Black
W: White
- Mounting Type
S: SMT Type
R: R/A Type
- Connector Type
F: Female
- No. of positions
01:1p 02:2p 03: 3p

GENERAL TOLERANCE		ANGLE TOLERANCE	
X.	±0.60	X.	±5°
.X	±0.38	.X	±3°
.XX	±0.25	.XX	±2°
DRAWING TYPE		CUSTOMER	
SCALE		1:1	SHEET 1 OF 1
DRAWING NO.		C-DS1137-08-XXXXXX-A	

PROJECTION	TITLE
	4.0mm LED Series Socket SMT & R/A Type H=3.9mmConductor is Single Type.
UNITS	mm
SHEET SIZE	A4
SERIES	DS1137-08 SERIES

晨翔电子有限公司
CONNFLY CONNFLY ELECTRONIC CO., LTD

Tel:86-574-63508787

Fax:86-574-63510815

E-mail:sale@connfly.com

http://www.connfly.com

Address: East Industry Zone KuangYan

Town Cixi Ningbo China

P.O. Box 15333