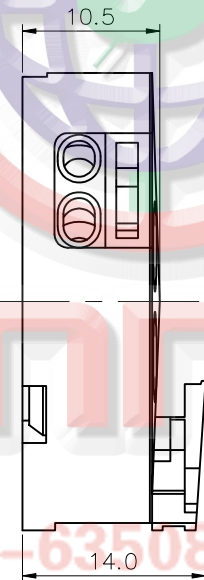
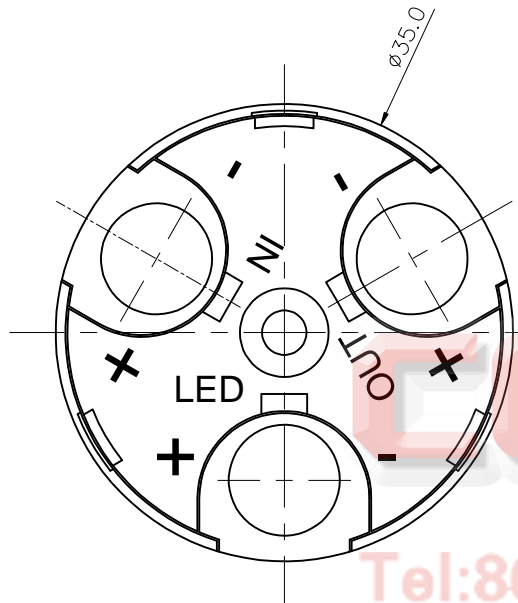
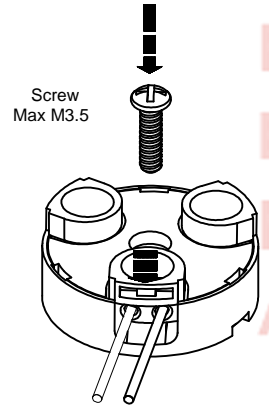


REV.	DESCRIPTION	DRAWN	CHECKED	APPROVED
A	NEW RELEASE	LV 01/29/15'		

- NOTES:
- Materials:
    - Insulator: NYLON 66 ,Light Grey ,UL94 V-2 Rated, RoHS,REACH compliance.
    - Contact: Bronze, Plating Tin (Ni).
  - Specifications:
    - Temperature Range: -20~+100°C.
    - Current Rating: 6A ~ 5A.
    - Voltage Rating:150V
    - Application wire range: XYFAZ 2 x (0.34~0.5) mm<sup>2</sup>
  - Product Number Code: DS1137-18 - X X X X X




- Packing Type
- R: Tape On Reel.
- T: Tube.
- Pin plating
- 6: Full tin.
- Housing Color
- A: Gray
- Connector Type
- F: Female
- No. of positions
- 06: 6p



Tel:86-574-63508787  
 Fax:86-574-63510817  
 E-mail:sale@connfly.com  
 http://www.connfly.com  
 Add:East Industry Zone KuangYan  
 Town Cui Ningbo  
 P.C:31533

GENERAL TOLERANCE	ANGLE TOLERANCE	PROJECTION	TITLE
X. ±0.60	X. ±5°	UNITS mm	LED Series Distribution Box Terminal Type
.X ±0.38	.X ±3°	SHEET SIZE A4	SERIES
.XX ±0.25	.XX ±2°		
DRAWING TYPE	CUSTOMER		
SCALE 1:1	SHEET 1 OF 1		
DRAWING NO.			

 <b>CONNFLY®</b>	<b>晨翔电子有限公司</b> <b>CONNFLY ELECTRONIC CO., LTD</b>
----------------------------------------------------------------------------------------------------------	-------------------------------------------------------