

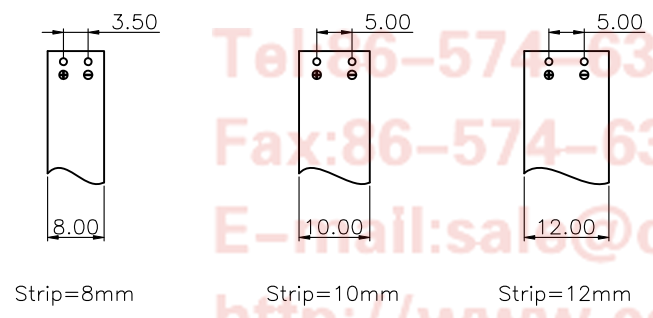
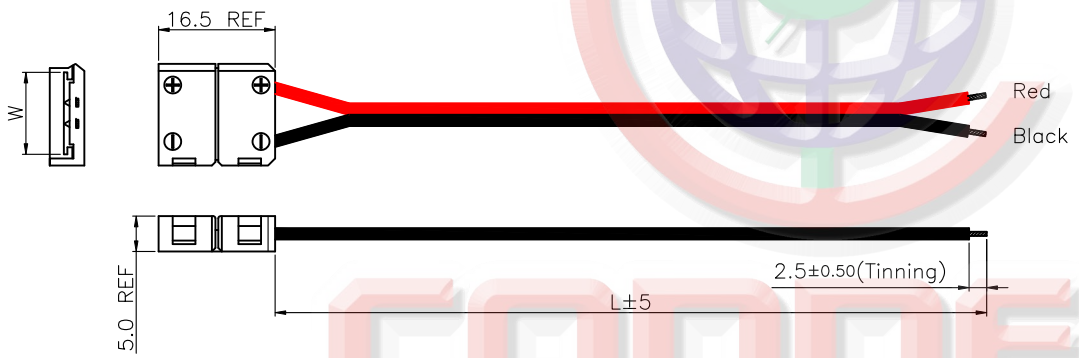
REV.	DESCRIPTION	DRAWN	CHECKED	APPROVED
A	NEW RELEASE	JLZ 06/23/17'		

NOTES:

- Materials:
  - Housing: PA66 Colour:White.
  - Contact: Copper Alloy, Plating Tin.
  - Tooth Slice:Steel, Plating Tin,
- Specifications:
  - Contact Resistance: 30mΩ maximum.
  - Insulation Resistance: 1000MΩ minimum.
  - Dielectric Withstanding Voltage: 1000V AC 1 minute.
  - Current: 5A AC,DC.
  - Voltage: 12~24V DC.
  - Application wire range:AWG22.
  - Application strip thickness:0.3mm.
  - Temperature: -20°C~+60°C.
- Product Number Code:

DS1137-27 - X X X X X X X X

- Strip Width(Dim W)  
A: 8mm B: 10mm  
C: 12mm
- Wire length(Dim L)  
150: 150mm  
.....
- Housing Color  
W: White
- Pin plating  
6: Full tin.
- Mounting type  
D: IDC type
- Wire Gauge  
22:UL2468 22AWG
- Connector type  
F: Female
- No. of positions  
2: 2p



Tel:86-574-63508787  
 Fax:86-574-63510817  
 E-mail:sales@connfly.com  
 http://www.connfly.com  
 Add:East Industry Zone KuangYan  
 Town Cixi Ningbo China  
 P.C:315333

GENERAL TOLERANCE		ANGLE TOLERANCE		PROJECTION		TITLE	No-soldering 2 Pin RGB LED Strip	
X.	±0.60	X.	±5°	UNITS	mm	Single Connector Wired Cable		
.X	±0.38	.X	±3°	SHEET SIZE	A4	SERIES	DS1137-27 SERIES	
.XX	±0.25	.XX	±2°	<b>晨翔电子有限公司</b> <b>CONNFLY CONNFLY ELECTRONIC CO. LTD</b>				
DRAWING TYPE		CUSTOMER						
SCALE	1:1	SHEET	1 OF 1					
DRAWING NO.		C-DS1137-27-XXXXXXX-A						