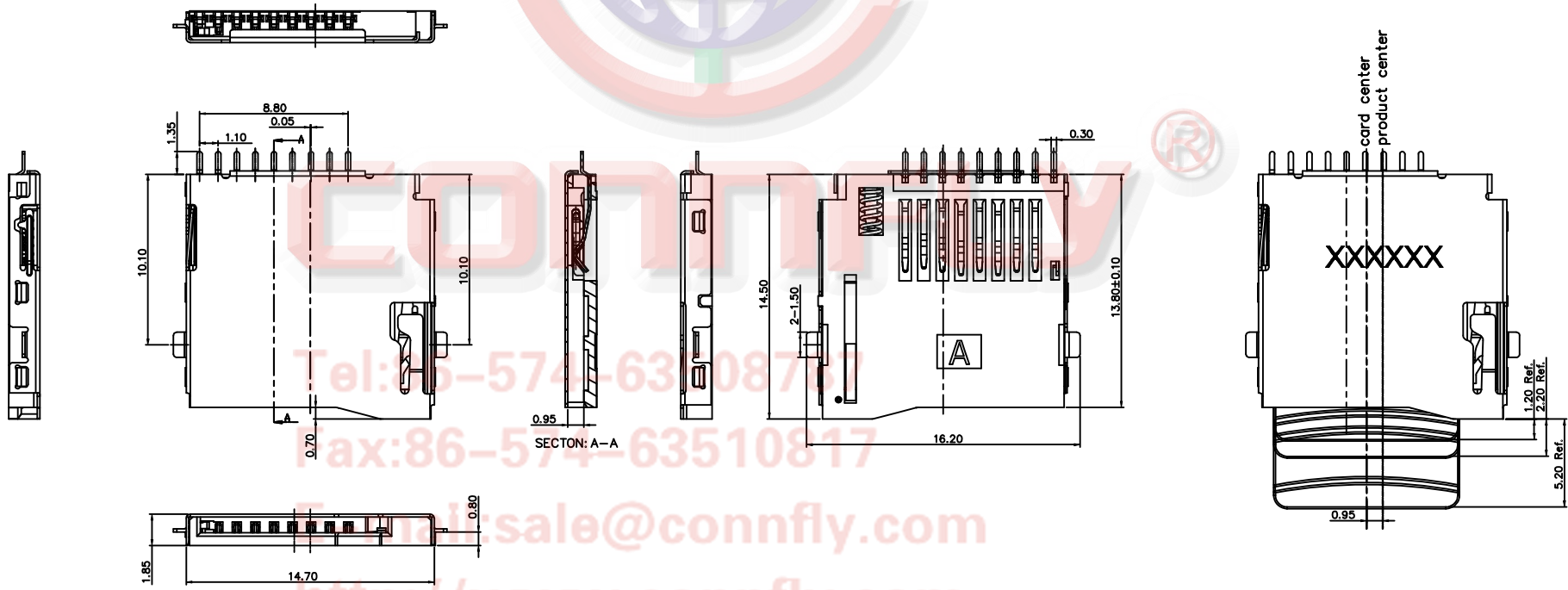


REV.	DESCRIPTION	DRAWN	CHECKED	APPROVED
A	NEW RELEASE	JLZ 10/11/14'		LJC 10/11/14'
B	DRAWING UPDATE	JLZ 05/03/17'		



Tel: 86-574-63510817
 Fax: 86-574-63510817
 Email: sale@connfly.com
 http://www.connfly.com
 Add: East Industry Zone KuangYan
 Town Cixi Ningbo China
 P.C: 315333

GENERAL TOLERANCE		ANGLE TOLERANCE	
X.	±0.60	X.	±5°
.X	±0.38	.X	±3°
.XX	±0.25	.XX	±2°

PROJECTION		TITLE	Micro SD Card Low Profile
UNITS	mm		H=1.85mm SMT Type
SHEET SIZE	A4	SERIES	DS1139-08 Series

DRAWING TYPE	CUSTOMER		
SCALE	1:1	SHEET	1 OF 2
DRAWING NO.	C-DS1139-08-XXXXXXX-B		

晨翔电子有限公司
CONNFLY® CONNFLY ELECTRONIC CO., LTD

REV.	DESCRIPTION	DRAWN	CHECKED	APPROVED
A	NEW RELEASE	JLZ 10/11/14'		LJC 10/11/14'
B	DRAWING UPDATE	JLZ 05/03/17'		

Notes:

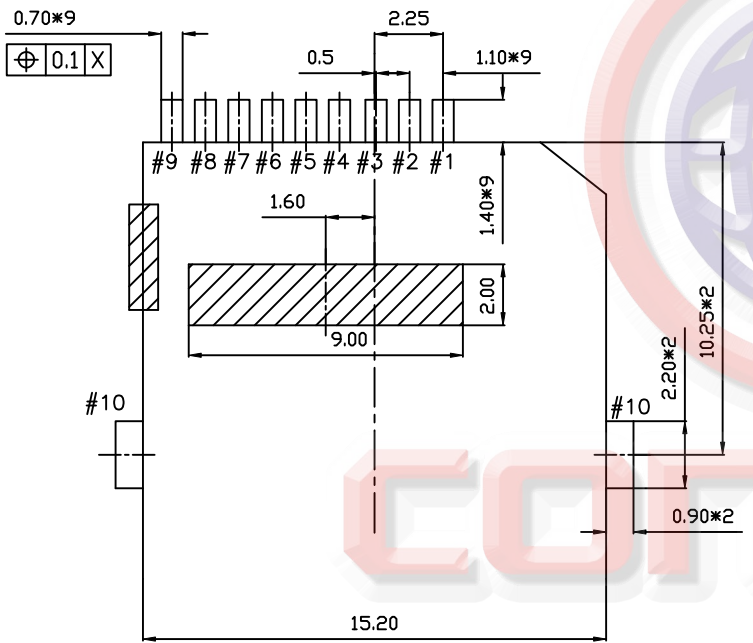
- Material:
 - Housing: High Temperature LCP, UL94V-0 Rated Color: Black.
 - Orbit: PA46, UL94V-0, Color: Black.
 - Contacts: Copper Alloy.
 - Shell: Stainless Steel.
- Finish:
 - Solder Area: Matte Tin.
 - Contact Area: Gold Over Nickel.
- Specifications:
 - Operate Temperature: $-40^{\circ}\text{C} \sim +85^{\circ}\text{C}$
 - Insulation Resistance: 1000MΩ Min.
 - Contact Resistance: 30mΩ max.
 - Withstanding Voltage: 500V AC 1min.
 - Operating Voltage: 30V AC/DC.
 - Current Rating: 0.5A

4. Product Number Code:

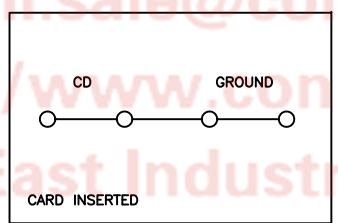
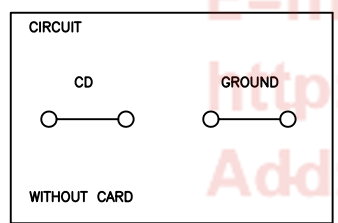
DS1139-08 - XX X X X X X X

- Packing Type
R: Tape On Reel
- Shell Plating
S: Stainless
- Housing color
B: Black
- Contact Plating
0: Selective gold flash
4: Selective 3u" gold
J: Selective 5u" gold
1: Selective 10u" gold
- Mounting type
S: SMT type
- Connector type
S: Socket
- No. of contacts
10:10pin

PIN NO.	MICRO	SD
PIN 1	DAT2	1P
PIN 2	CD/DAT3	2P
PIN 3	CMD	3P
PIN 4	VDD	4P
PIN 5	CLK	5P
PIN 6	VSS	6P
PIN 7	DAT0	7P
PIN 8	DAT1	8P
PIN 9	CARD DETECT	
PIN 10	GROUND	



RECOMMENDED PCB LAYOUT
(ALL TOLERANCE ARE: ± 0.05)



GENERAL TOLERANCE	ANGLE TOLERANCE
X. ± 0.60	X. $\pm 5^{\circ}$
.X ± 0.38	.X $\pm 3^{\circ}$
.XX ± 0.25	.XX $\pm 2^{\circ}$

PROJECTION	TITLE
	Micro SD Card Low Profile H=1.85mm SMT Type
UNITS	mm
SHEET SIZE	A4
SERIES	DS1139-08 Series

DRAWING TYPE	CUSTOMER
SCALE	1:1 SHEET 2 OF 2
DRAWING NO.	C-DS1139-08-XXXXXXX-B

晨翔电子有限公司
CONNFLY ELECTRONIC CO., LTD

TEL: 86-574-63508787
 Fax: 86-574-63510817
 E-mail: sale@connfly.com
<http://www.connfly.com>
 Add: East Industry Zone KuangYan
 Town Cixi Ningbo China
 P.C: 315333