

The information provided herein is from CONNELY Electronic Co., Ltd. and is confidential. Any disclosure to a party other than the recipient is prohibited. The intellectual properties and its rights contained herein, including but not limited to, trademarks, patents, copyrights, trade secrets, and technical know-how, are owned exclusively by CONNELY or its affiliates. Unauthorized use of this information for any purpose is strictly prohibited. CONNELY may enforce its intellectual property rights at its own discretion, failures or delays to exercise such rights does not constitute a waiver of such rights.

REV.	DESCRIPTION	DRAWN	CHECKED	APPROVED
A	NEW RELEASE	Kevin 09/18/16'	HZW 09/18/16'	LJC 09/18/16'
B	DRAWING UPDATE	JLZ 05/02/18'	HZW 05/02/18'	LJC 05/02/18'
C	ADD P/N CODE	JLZ 11/15/18'		

Notes:

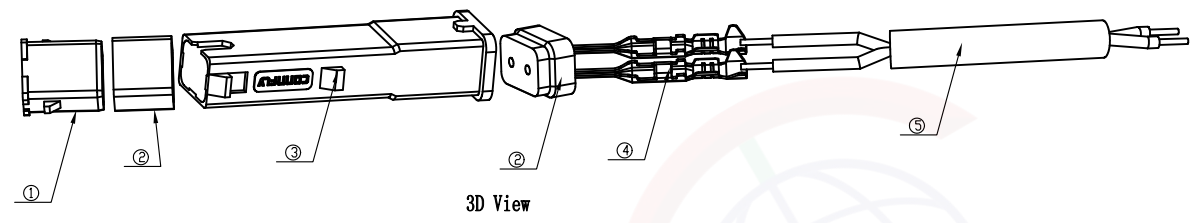
- Materials: See Table A.
- Specifications:
 - Contact Resistance: 500mΩ/m maximum.
 - Dielectric Withstanding Voltage: 500V AC(r.m.s.).
 - Insulation Resistance: 500MΩ Min.
 - Temperature Range: -20°C~+80°C.
 - Current Rating: 2A.
- Product Number Code:

DS1142-01 - X X X X X X X S X X - S

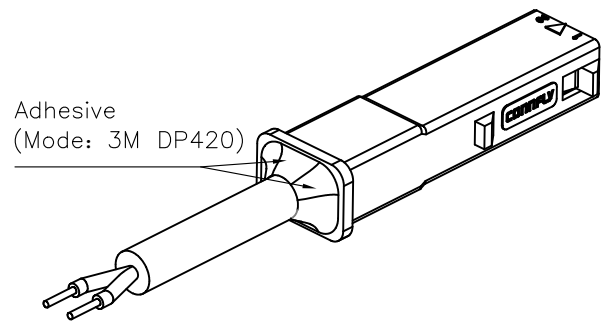
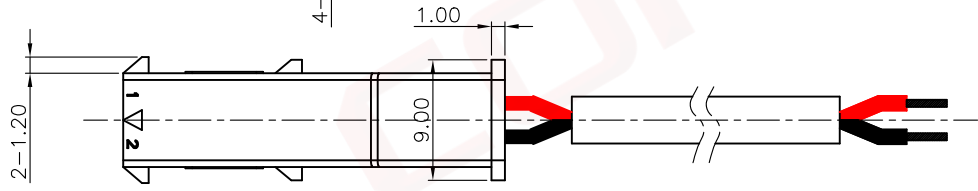
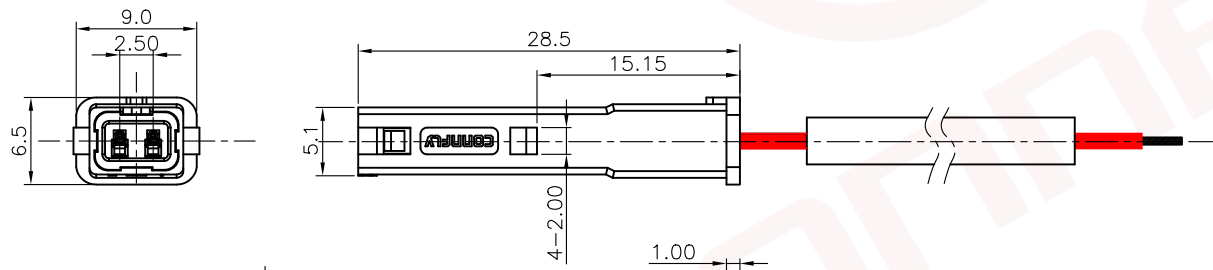
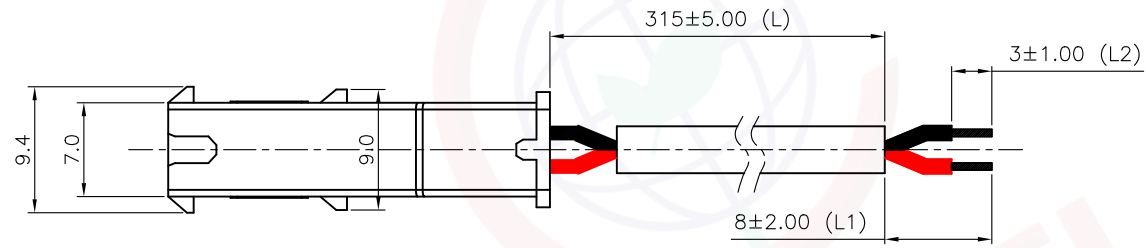
- Adhesive Support
- S: W/ Adhesive
- N/A Code: W/O Adhesive
- Wire length Inside(Dim L2)
- 03: 3.00mm
- Wire length Outside(Dim L1)
- 08: 8.00mm
- Wire length(Dim L)
- 0315: 315mm
- Housing Color
- V: Ivory
- Pin plating
- 6: Full tin.
- Mounting type
- C: Crimp Type
- Wire Gauge
- 24: UL2464 24AWG
- Connector type
- S: Socket
- No. of positions
- 2: 2p

Table A:

No.	Part Name	Q'TY	Material	Finishes/Color	Remarks
5	WIRE	1	CONDUCTOR: LINED COPPER WIRE INSULATION: PVC	UL 2464 24 AWG	
4	TERMINAL	4	COPPER ALLOY	Tin Plated	
3	HOUSING	1	PA-66	Color of Ivory	
2	WATER PROOF CIRCLE	1	SILASTIC	Color of Black	
1	BLOCK	1	PBT	Color of Green	



3D View



GENERAL TOLERANCE		ANGLE TOLERANCE	
X.	±0.60	X.	±5°
.X	±0.38	.X	±3°
.XX	±0.25	.XX	±2°

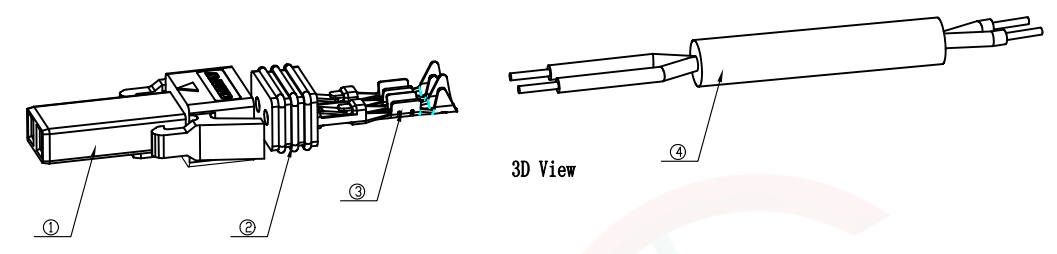
DRAWING TYPE	CUSTOMER		
SCALE	1:1	SHEET	1 OF 2
DRAWING NO.	C-DS1142-01-XSXXXXXSXX-S-C		

PROJECTION	TITLE
UNITS	2.5mm Water Proof Socket Series
SHEET SIZE	A4
SERIES	DS1142-01 SERIES

晨翔电子有限公司
 CONNFLY CONNFLY ELECTRONIC CO. LTD

The information provided herein is from CONNPLY Electronic Co., Ltd. and is confidential. Any disclosure to a party other than the recipient is prohibited. The intellectual properties and its rights contained herein, including but not limited to, trademarks, patents, copyrights, trade secrets, and technical know-how, are owned exclusively by CONNPLY or its affiliates. Unauthorized use or reproduction of any part of this document is strictly prohibited. CONNPLY may enforce its intellectual property rights at its own discretion, failures or delays to exercise such rights does not constitute a waiver of such rights.

REV.	DESCRIPTION	DRAWN	CHECKED	APPROVED
A	NEW RELEASE	Kevin 09/18/16'	HZW 09/18/16'	LJC 09/18/16'
B	DRAWING UPDATE	JLZ 05/02/18'	HZW 05/02/18'	LJC 05/02/18'
C	ADD P/N CODE	JLZ 11/15/18'		



Notes:

- Materials: See Table A.
- Specifications:
 - Contact Resistance: 500mΩ/m maximum.
 - Dielectric Withstanding Voltage: 300V AC(r.m.s).
 - Insulation Resistance: 500MΩ Min.
 - Temperature Range: -20°C~+80°C.
 - Current Rating: 2A.
- Product Number Code:

DS1142-01 - X P X X X X S X X

Wire length Inside(Dim L2)
 3: 3.00mm
 Wire length Outside(Dim L1)
 30: 30mm
 Wire length(Dim L)
 0195: 195mm
 Housing Color
 V: Ivory
 Pin plating
 6: Full tin.
 Mounting type
 C: Crimp Type
 Wire Gauge
 24: UL2464 24AWG
 Connector type
 P: Plug
 No. of positions
 2: 2p

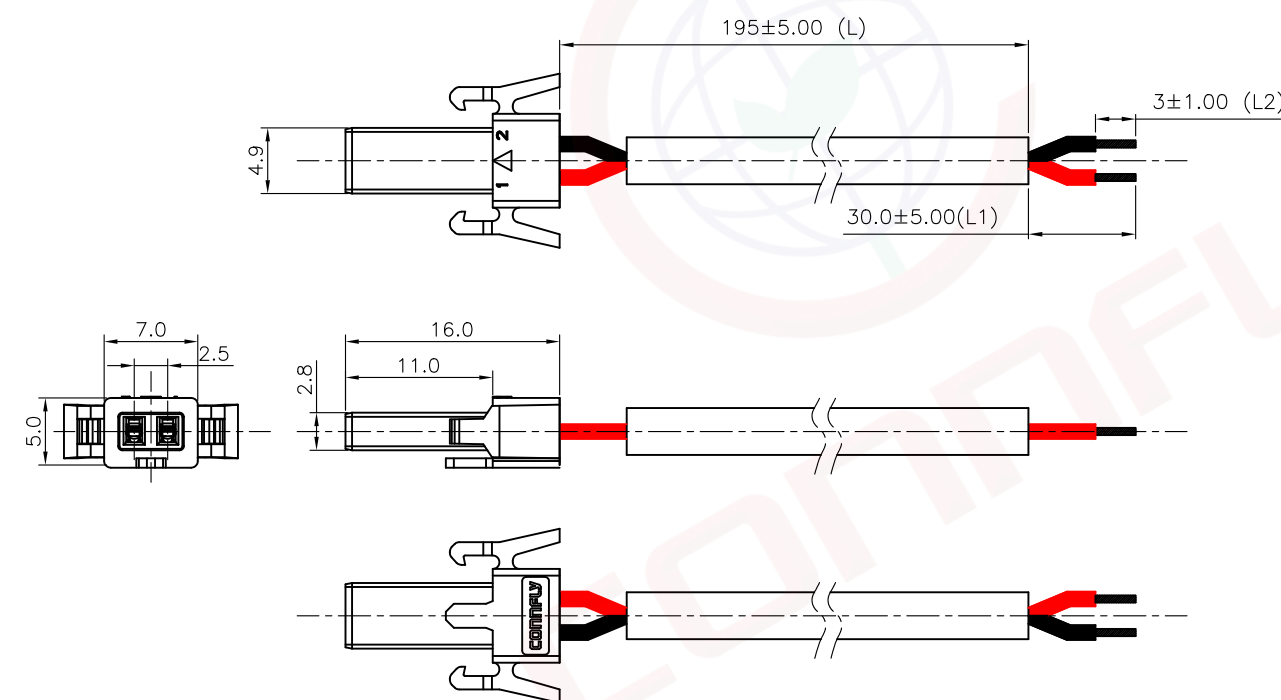


TABLE A:

NO.	Part Name	Q'ty	Material	Finishes/Color	Remarks
4	WIRE	1	CONDUCTOR: LINED COPPER WIRE INSULATION: PVC	UL 2464 24 AWG	
3	TERMINAL	4	COPPER ALLOY	Tin Plated	
2	WATER PROOF CIRCLE	1	SILASTIC	Color of Black	
1	HOUSING	1	PA-66	Color of Ivory	

GENERAL TOLERANCE		ANGLE TOLERANCE		PROJECTION	TITLE	
X.	±0.60	X.	±5°	⊕	2.5mm Water Proof Socket Series	
.X	±0.38	.X	±3°	mm	SERIES DS1142-01 SERIES	
.XX	±0.25	.XX	±2°	SHEET SIZE A4		
DRAWING TYPE		CUSTOMER		晨翔电子有限公司 CONNPLY ELECTRONIC CO. LTD		
SCALE	1:1	SHEET	2 OF 2			
DRAWING NO.	C-DS1142-01-XPXXXXXSSX-S-C					