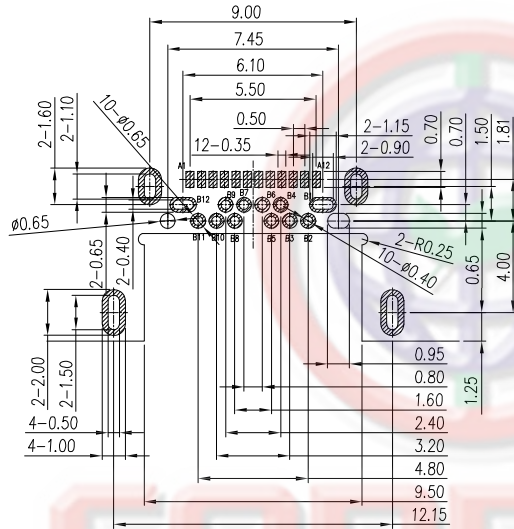
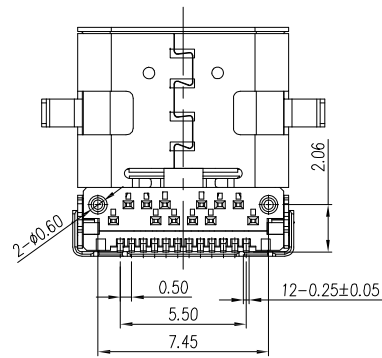
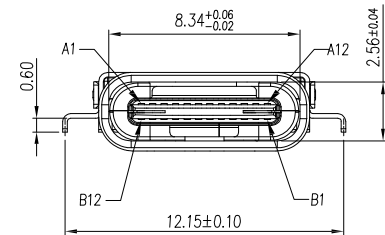
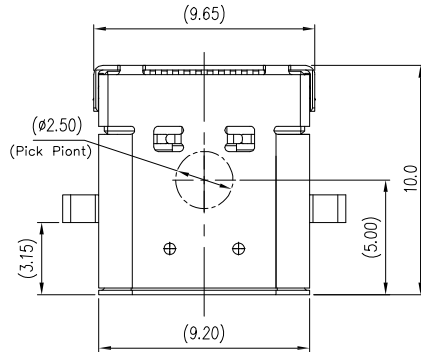


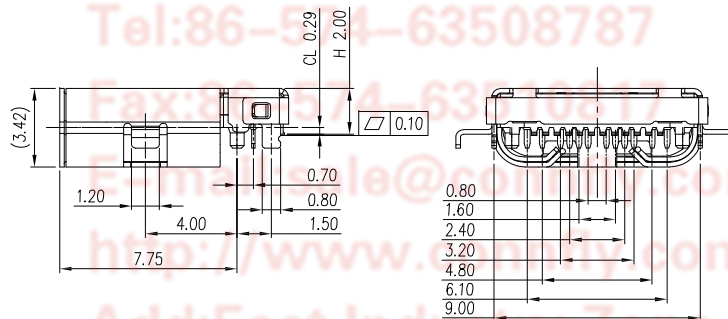
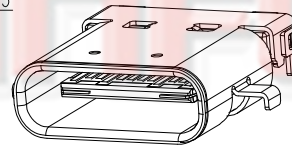
Dept  
Qty  
DC 1  
ED 1  
IE 1  
ISO 1  
PD 1  
R&D 1  
SD 1  
QA 1  
QC 1  
QE 1

The information provided herein is from CONNELY Electronic Co., Ltd. and is confidential. Any disclosure to a party other than the recipient is prohibited. The intellectual properties and its rights contained herein, including but not limited to, trademarks, patents, copyrights, trade secrets, and technical know-how, are owned exclusively by CONNELY or its affiliates. Unauthorized use of this information in any format or manner. CONNELY may enforce its intellectual property rights at its own discretion; failures or delays to exercise such rights does not constitute a waiver of such rights.

1	2	3	4	5	6	7	8
REV.	DESCRIPTION	DRAWN	CHECKED	APPROVED			
A	NEW RELEASE	JLZ 08/08/18'					



RECOMMEND P.C.B LAYOUT (COMPONENT SIDE)  
TOLERANCE: ±0.05



NOTES:

- 1.1 INSULATOR RESISTANCE: 100MΩ Min. AT 100V DC.
- 1.2 CURRENT RATING: 5A FOR A4 B4 A9 B9, 1.25A FOR OTHER.
- 1.3 DIELECTRIC STRENGTH: AC 100V FOR 1 Minute.
- 1.4 HOUSING: THERMOPLASTIC (UL 94-0).
- 1.5 CONTACT: COPPER ALLOY
- 1.6 OUTER SHELL: COPPER ALLOY
- 1.7 INNER SHELL: STAINLESS STEEL
- 1.8 PRODUCT NUMBER CODE:

DS1144-02 - X X X X X X X 0

- Packing Type
- T: Tray
- R: Tape On Reel
- Shell Plating
- N: Full Nicke
- Housing color
- B: Black
- Contact Plating
- 0: Selective gold flash
- 3: Selective 30u" gold
- 5: Selective 15u" gold
- Mounting type
- S: SMT type
- Connector type
- F: Female
- No. of contacts
- 24: 24pin

A12	GND	B1	GND
A11	SSRXp2	B2	SSTXp2
A10	SSRXn2	B3	SSTXn2
A9	VBUS	B4	VBUS
A8	SBU1	B5	CC2
A7	Dn1	B6	Dp2
A6	Dp1	B7	Dn2
A5	CC1	B8	SBU2
A4	VBUS	B9	VBUS
A3	SSTXn1	B10	SSRXn1
A2	SSTXp1	B11	SSRXp1
A1	GND	B12	GND
Pin NO.	Signal name	Pin NO.	Signal name

GENERAL TOLERANCE		ANGLE TOLERANCE	
X.	±0.60	X.	±5°
.X	±0.38	.X	±3°
.XX	±0.25	.XX	±2°

PROJECTION		TITLE	USB3.1 C TYPE FEMALE SINK CONNECTOR L=10mm
UNITS	mm	SHEET	A4
SHEET SIZE	A4	SERIES	DS1144-02 SERIES

DRAWING TYPE	CUSTOMER
SCALE	1:1 SHEET 1 OF 1
DRAWING NO.	C-DS1144-02-XXXXXXX-A

晨翔电子有限公司  
CONNFLY CONNELY ELECTRONIC CO. LTD

Tel: 86-574-63508787  
Fax: 86-574-63510817  
E-mail: sales@connfly.com  
http://www.connfly.com  
Add: East Industry Zone KuangYan  
Town Cixi Ningbo China  
P.C: 315333