

The information provided herein is from CONNELY Electronic Co., Ltd. and is confidential. Any disclosure to a party other than the recipient is prohibited. The intellectual properties and its rights contained herein, including but not limited to, trademarks, patents, copyrights, trade secrets, and technical know-how, are owned exclusively by CONNELY or its affiliates. Unauthorized use of the information herein, in any format or manner, CONNELY may enforce its intellectual property rights at its own discretion; failures or delays to exercise such rights does not constitute a waiver of such rights.

1 2 3 4 5 6 7 8

REV.	DESCRIPTION	DRAWN	CHECKED	APPROVED
A	NEW RELEASE	JLZ 07/13/18'		

B  
QA 1  
QC 1  
QE 1

C  
ISO 1  
PD 1  
R&D 1  
SD 1

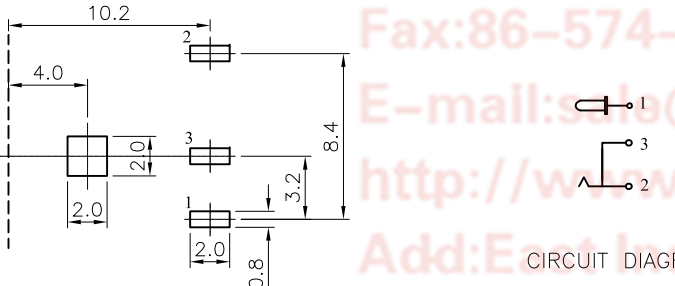
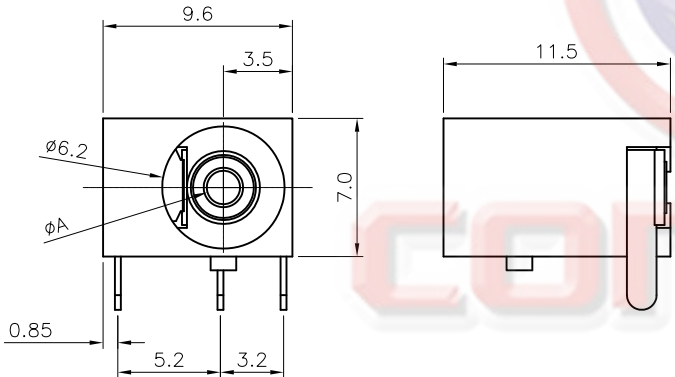
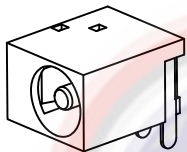
D  
Dept  
Qty

F  
DC 1  
ED 1  
IE 1

F

G

H



CIRCUIT DIAGRAM

RECOMMEND PCB LAYOUT

NOTES:

- ELECTRICAL CHARACTERISTICS:
  - CONTACT RESISTANCE: 30mΩ Max.
  - DIELECTRIC WITHSTANDING VOLTAGE: 250V AC(rms) FOR 1 MINUTE.
  - INSULATION RESISTANCE: 100MΩ Min.
  - CURRENT RATING:3A.
- ENVIRONMENT CHARACTERISTICS:
  - TEMPERATURE: -25°C~+70°C.
- MATERIALS
  - CONTACT MATERIAL: COPPER ALLOY.
  - CONTACT PLATING: Ag
  - INSULATOR MATERIALS: NYLON,BLACK.
- PRODUCT NUMBER CODE:

DS1152-06 - X X X X X 0 X X

- Pin Dim. A type
  - 0: A=1.65mm
  - 1: A=2.0mm
  - 2: A=2.5mm
- Packing type
  - P: Ploybag
- Housing color
  - B: Black
- Contact Plating
  - Y: Full Silver
- Mounting type
  - R: R/A type
- Connector type
  - S: Socket
- No.OF CONTACTS
  - 03

Tel:86-574-63508787  
 Fax:86-574-63510817  
 E-mail:sales@connfly.com  
 http://www.connfly.com  
 Add:East Industry Zone KuangYan  
 Town Cixi Ningbo China  
 P.C:315333

GENERAL TOLERANCE		ANGLE TOLERANCE		PROJECTION		TITLE	ø6.2mm DC Power Jack R/A Type	
X.	±0.60	X.	±5°	UNITS	mm	SHEET SIZE	A4	
.X	±0.38	.X	±3°	SHEET SIZE	A4	SERIES	DS1152-06 SERIES	
.XX	±0.25	.XX	±2°	<b>晨翔电子有限公司</b> <b>CONNFLY CONNELY ELECTRONIC CO. LTD</b>				
DRAWING TYPE		CUSTOMER						
SCALE		1:1						
DRAWING NO.		C-DS1152-06-XXXXX0XX-A		SHEET		1 OF 1		

1 2 3 4 5 6 7 8