

Dept
Qty
DC 1
ED 1
IE 1
ISO 1
PD 1
R&D 1
SD 1
QA 1
QC 1
QE 1

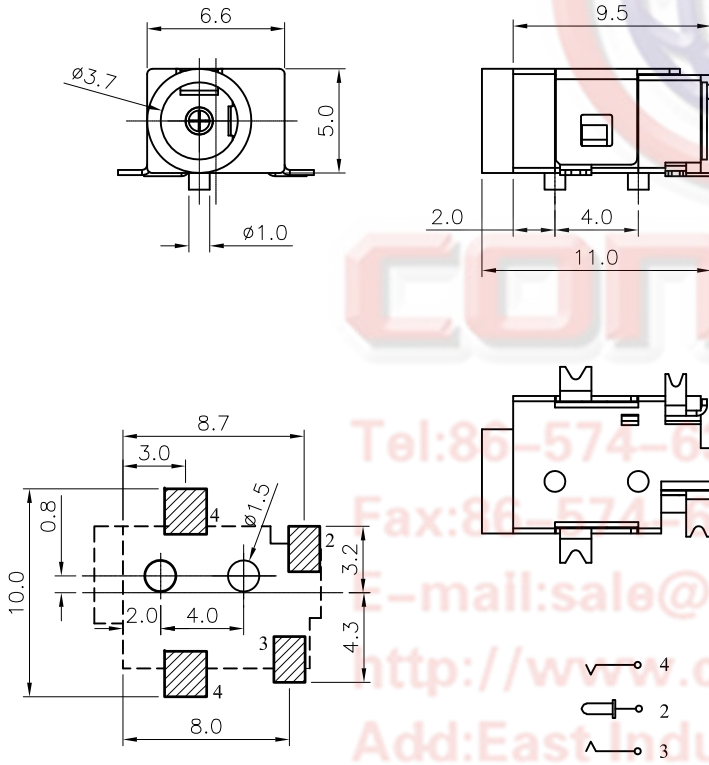
The information provided herein is from CONNELY Electronic Co., Ltd. and is confidential. Any disclosure to a party other than the recipient is prohibited. The intellectual properties and its rights contained herein, including but not limited to, trademarks, patents, copyrights, trade secrets, and technical know-how, are owned exclusively by CONNELY or its affiliates. Unauthorized use of this information in any format or manner. CONNELY may enforce its intellectual property rights at its own discretion; failures or delays to exercise such rights does not constitute a waiver of such rights.

REV.	DESCRIPTION	DRAWN	CHECKED	APPROVED
A	NEW RELEASE	JLZ 07/13/18'		



- NOTES:
- ELECTRICAL CHARACTERISTICS:
 - CONTACT RESISTANCE: 30mΩ Max.
 - DIELECTRIC WITHSTANDING VOLTAGE: 250V AC(rms) FOR 1 MINUTE.
 - INSULATION RESISTANCE: 100MΩ Min.
 - CURRENT RATING:3A.
 - ENVIRONMENT CHARACTERISTICS:
 - TEMPERATURE: -25°C~+70°C.
 - MATERIALS
 - CONTACT MATERIAL: COPPER ALLOY.
 - CONTACT PLATING: Ag
 - INSULATOR MATERIALS: HIGH TEMP,BLACK.
 - PRODUCT NUMBER CODE:

DS1153-01 - X X X X X 0 X 0



RECOMMEND PCB LAYOUT

CIRCUIT DIAGRAM

- Packing type
P: Ploybag
R: Tape On Reel
- Housing color
B: Black
- Contact Plating
Y: Full Silver
- Mounting type
S: SMT type
- Connector type
S: Socket
- No.OF CONTACTS
03

Tel:86-574-63508787
 Fax:86-574-63510817
 E-mail:sale@connfly.com
 http://www.connfly.com
 Add:East Industry Zone KuangYan
 Town Cixi Ningbo China
 P.C:315333

GENERAL TOLERANCE		ANGLE TOLERANCE		PROJECTION	TITLE
X.	±0.60	X.	±5°		ø3.7mm DC Power Jack SMT Type
.X	±0.38	.X	±3°	mm	
.XX	±0.25	.XX	±2°	A4	SHEET SIZE
DRAWING TYPE				CUSTOMER	
SCALE		1:1	SHEET 1 OF 1		
DRAWING NO.		C-DS1153-01-XXXXX0XX-A			
晨翔电子有限公司 CONNFLY CONNELY ELECTRONIC CO. LTD					