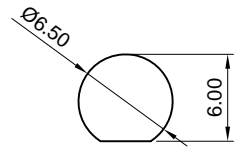


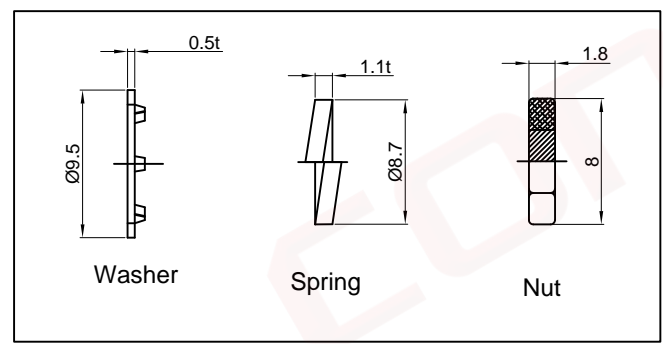
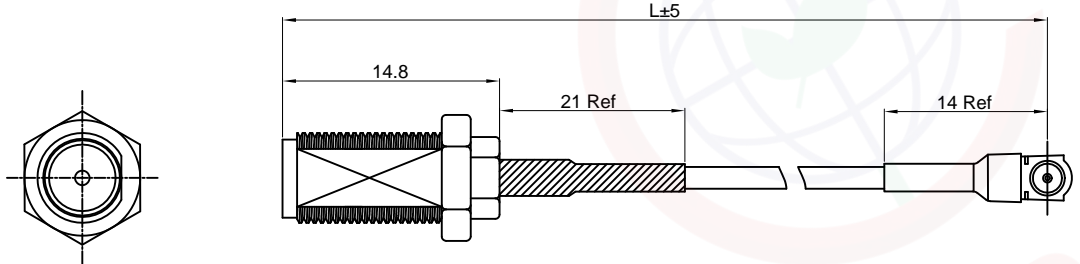
Dept	
Qty	
DC	1
ED	1
IE	1
ISO	1
PD	1
R&D	1
SD	1
QA	1
QC	1
QF	1

The information provided herein is from CONNPLY Electronic Co., Ltd. and is confidential. Any disclosure to a party other than the recipient is prohibited. The intellectual properties and its rights are reserved by CONNPLY Electronic Co., Ltd. and its subsidiaries. This drawing is for reference only and does not constitute authorization of its use in any format or manner. CONNPLY may enforce its intellectual property rights at its own discretion; failures or delays to exercise such rights does not constitute a waiver of such rights.

REV.	DESCRIPTION	DRAWN	CHECKED	APPROVED
A	NEW RELEASE	JLZ 04/12/22'		



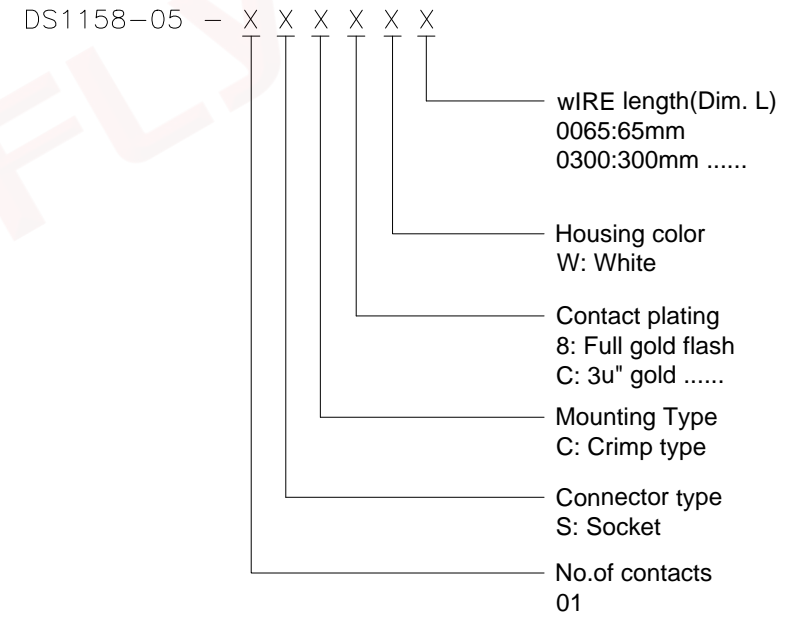
Recommended Mounting Hole Dimensions



(Series Image-Reference Only)

Notes:

- Materials:
 - Contact: Copper Alloy, Full Gold Flash Plated.
 - Shell: Copper Alloy, Full Gold Flash Plated.
 - Insulator: High Temp Thermoplastic, White.
- Specifications:
 - Contact Resistance: 20mΩ max.
 - Insulation Resistance: 100MΩ min.
 - Dielectric Withstanding Voltage: 500V min.
 - Temperature Range: -40~+125°C.
 - Impedance: 50Ω.
 - Operating Cycles: 300 Cycles min.
- Product Number Code:



GENERAL TOLERANCE	ANGLE TOLERANCE	PROJECTION		TITLE	SMA Jack + RG178 Cable	
X. ±0.60	X. ±5°	UNITS	mm	SERIES	DS1158-05 SERIES	
.X ±0.38	.X ±3°	SHEET SIZE	A4			
.XX ±0.25	.XX ±2°					
DRAWING TYPE	CUSTOMER					
SCALE	1:1	SHEET	1 OF 1			
DRAWING NO.	C-DS1158-05-XXXXXX-A					

