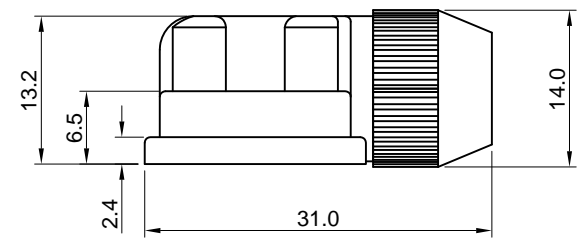
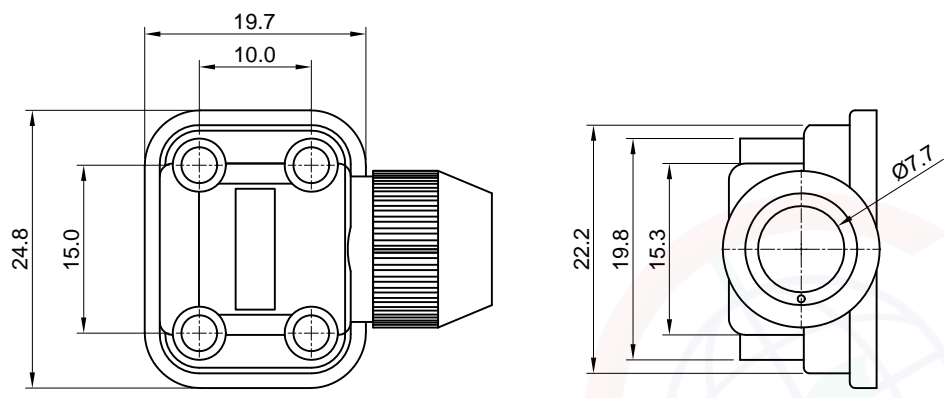


The information provided herein is from CONNELY Electronic Co., Ltd. and is confidential. Any disclosure to a party other than the recipient is prohibited. The intellectual properties and its rights contained herein, including but not limited to, trademarks, patents, copyrights, trade secrets, and technical know-how, are owned exclusively by CONNELY or its affiliates. Unauthorized use or reproduction of any part of this document for any purpose other than the intended use is strictly prohibited. CONNELY may enforce its intellectual property rights at its own discretion, failures or delays to exercise such rights does not constitute a waiver of such rights.

REV.	DESCRIPTION	DRAWN	CHECKED	APPROVED
A	NEW RELEASE	JLZ 03/21/21'		



Assembly State



Packing State

Notes:

Specifications:

- Contact Resistance: 35mΩ Max.
- Insulation Resistance: 1000MΩ Min.
- Dielectric Withstanding Voltage: 500V AC(rms) For 1 Minute.
- Current Rating:1A.
- Voltage Rating:125V AC rms.
- Temperature: -25°C~+85°C.

Material:

- Insulator Materials: PA66,Black.

Product Number Code:

DS1160-02 - X X X X X X

- X: Packing Type
- T: Tray
- X: Housing color
- B: Black
- X: Contact Plating
- 8: Gold flash
- X: Mounting type
- C: Crimp type
- X: Connector type
- F: Female
- X: No. of contacts
- 9: 9pin

GENERAL TOLERANCE		ANGLE TOLERANCE		PROJECTION		TITLE	2.00*2.45mm mm Water Proof Connector 9 Pin Crimp Type				
X.	±0.60	X.	±5°	UNITS	mm	SERIES	DS1160-02 SERIES				
.X	±0.38	.X	±3°	晨翔电子有限公司 CONNFLY CONNFLY ELECTRONIC CO. LTD							
.XX	±0.25	.XX	±2°								
DRAWING TYPE		CUSTOMER		晨翔电子有限公司 CONNFLY CONNFLY ELECTRONIC CO. LTD							
SCALE		1:1							SHEET	1 OF 6	
DRAWING NO.		C-DS1160-02-XXXXXX-A									