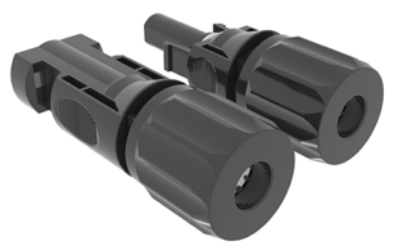
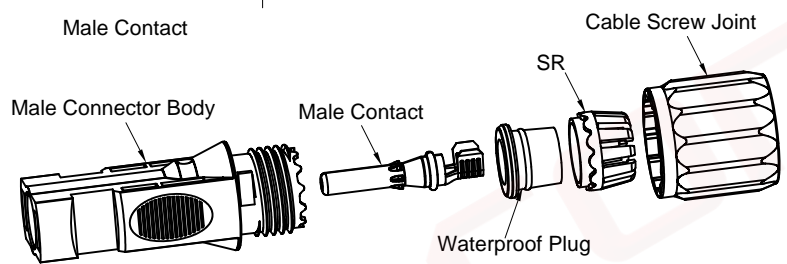
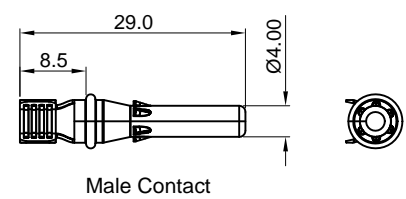
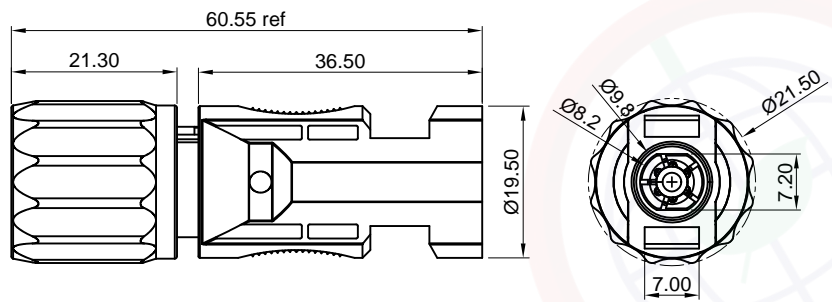
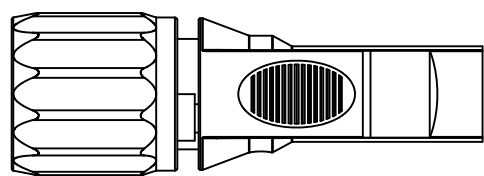


| | |
|------|---|
| Dept | |
| Qty | |
| DC | 1 |
| ED | 1 |
| IE | 1 |
| ISO | 1 |
| PD | 1 |
| R&D | 1 |
| SD | 1 |
| QA | 1 |
| QC | 1 |
| QF | 1 |

The information provided herein is from CONNELY Electronic Co., Ltd. and is confidential. Any disclosure to a party other than the recipient is prohibited. The intellectual properties and its rights contained herein, including but not limited to, trademarks, patents, copyrights, trade secrets, and technical know-how, are owned exclusively by CONNELY or its affiliates. Unauthorized use or reproduction of any part of this document for any purpose without the prior written permission of CONNELY is strictly prohibited. CONNELY may enforce its intellectual property rights at its own discretion, failures or delays to exercise such rights does not constitute a waiver of such rights.



(Series Image-Reference Only)

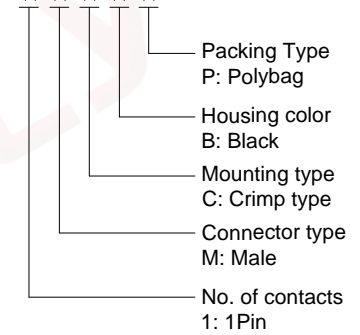
| REV. | DESCRIPTION | DRAWN | CHECKED | APPROVED |
|------|-------------|---------------|---------|----------|
| A | NEW RELEASE | JLZ 05/06/22' | | |
| | | | | |
| | | | | |

- Notes:
Specifications:
- Contact Resistance: 25mΩ Max.
 - Insulation Resistance: 1000MΩ Min.
 - Dielectric Withstanding Voltage: 1500V AC(rms) For 1 Minute.
 - Current Rating:15-30A.
 - Voltage Rating:1000V AC rms.
 - Temperature: -40°C~+85°C.

- Materials:
- Insulating material:PBT+PC.
 - Waterproof Plug: Silicone rubber,Black.

Product Number Code:

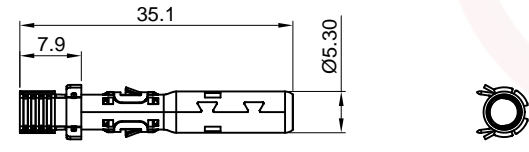
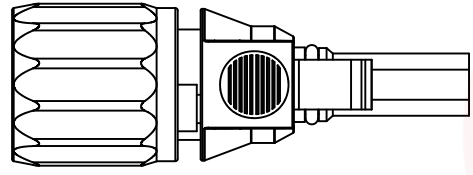
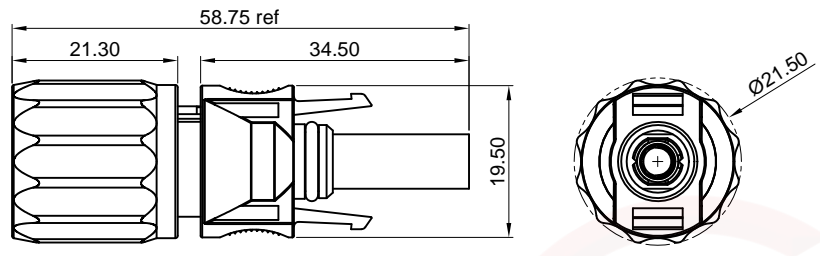
DS1162-01 - X X X X X



| | | | | | | | | | |
|-------------------|-------|--------------------|-------|------------|--|--------|---|--|--|
| GENERAL TOLERANCE | | ANGLE TOLERANCE | | PROJECTION | | TITLE | Solar Connectors Wire to Wire W/ Lock Type (Male) | | |
| X. | ±0.60 | X. | ±5° | UNITS | mm | SERIES | DS1162-01 SERIES | | |
| .X | ±0.38 | .X | ±3° | SHEET SIZE | A4 | | | | |
| .XX | ±0.25 | .XX | ±2° | | | | | | |
| DRAWING TYPE | | CUSTOMER | | | 晨翔电子有限公司 CONNFLY ELECTRONIC CO. LTD | | | | |
| SCALE | | 1:1 | SHEET | 1 OF 4 | | | | | |
| DRAWING NO. | | C-DS1162-01-XXXX-A | | | | | | | |

| | |
|------|---|
| Dept | |
| Qty | |
| DC | 1 |
| ED | 1 |
| IE | 1 |
| ISO | 1 |
| PD | 1 |
| R&D | 1 |
| SD | 1 |
| QA | 1 |
| QC | 1 |
| QE | 1 |

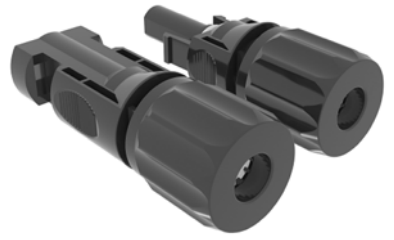
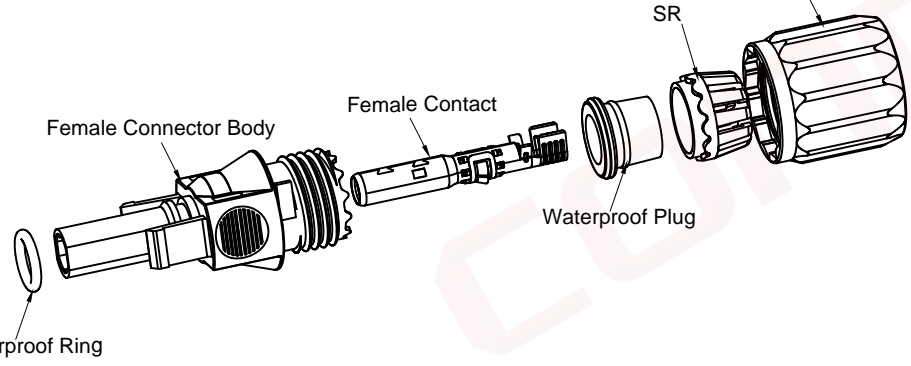
The information provided herein is from CONNELY Electronic Co., Ltd. and is confidential. Any disclosure to a party other than the recipient is prohibited. The intellectual properties and its rights contained herein, including but not limited to, trademarks, patents, copyrights, trade secrets, and technical know-how, are owned exclusively by CONNELY or its affiliates. Unauthorized use or reproduction of any part of this document is strictly prohibited. CONNELY may enforce its intellectual property rights at its own discretion, failures or delays to exercise such rights does not constitute a waiver of such rights.



Female Contact



Cable Screw Joint



(Series Image-Reference Only)

| REV. | DESCRIPTION | DRAWN | CHECKED | APPROVED |
|------|-------------|---------------|---------|----------|
| A | NEW RELEASE | JLZ 05/06/22' | | |
| | | | | |
| | | | | |

- Notes:
 Specifications:
 1. Contact Resistance: 25mΩ Max.
 2. Insulation Resistance: 1000MΩ Min.
 3. Dielectric Withstanding Voltage: 1500V AC(rms) For 1 Minute.
 4. Current Rating:15-30A.
 5. Voltage Rating:1000V AC rms.
 6. Temperature: -40°C~+85°C.

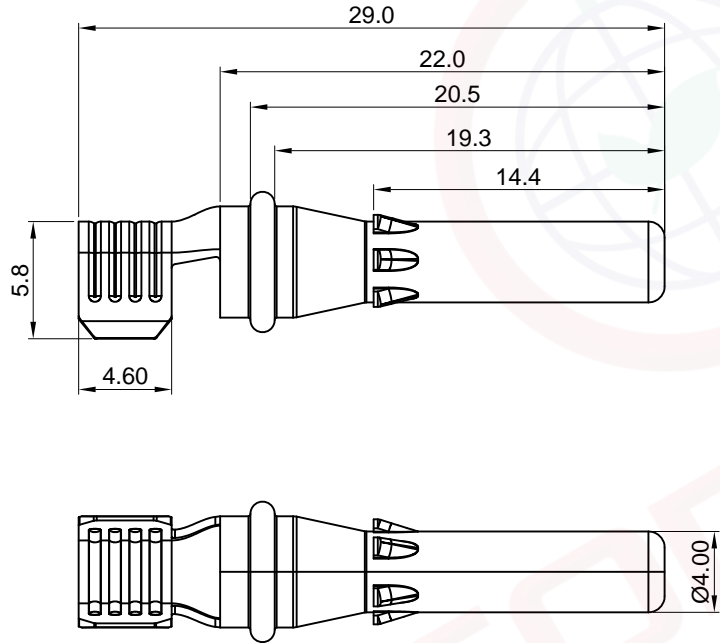
- Materials:
 1. Insulating material:PBT+PC.
 2. Waterproof Plug: Silicone rubber,Black.

Product Number Code:
 DS1162-01 - X X X X X

- X Packing Type
- P: Polybag
- X Housing color
- B: Black
- X Mounting type
- C: Crimp type
- X Connector type
- F: Female
- X No. of contacts
- 1: 1Pin

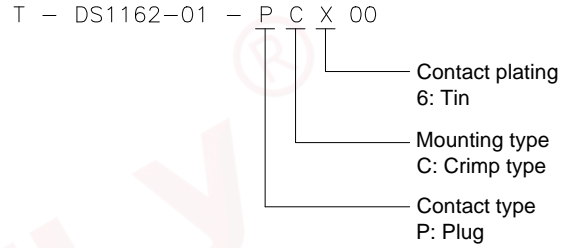
| | | | | | | | | | |
|-------------------|-------|---------------------|-------|------------|---|--------|---|--|--|
| GENERAL TOLERANCE | | ANGLE TOLERANCE | | PROJECTION | | TITLE | Solar Connectors Wire to Wire W/ Lock Type (Female) | | |
| X. | ±0.60 | X. | ±5° | UNITS | mm | SERIES | DS1162-02 SERIES | | |
| .X | ±0.38 | .X | ±3° | SHEET SIZE | A4 | | | | |
| .XX | ±0.25 | .XX | ±2° | | | | | | |
| DRAWING TYPE | | CUSTOMER | | | 晨翔电子有限公司 CONNFLY ELECTRONIC CO., LTD | | | | |
| SCALE | | 1:1 | SHEET | 2 OF 4 | | | | | |
| DRAWING NO. | | C-DS1162-01-XXXXX-A | | | | | | | |

The information provided herein is from CONNELY Electronic Co., Ltd. and is confidential. Any disclosure to a party other than the recipient is prohibited. The intellectual properties and its rights contained herein, including but not limited to, trademarks, patents, copyrights, trade secrets, and technical know-how, are owned exclusively by CONNELY or its affiliates. Unauthorized use or reproduction of any part of this document is strictly prohibited. CONNELY reserves all rights in this document and its use in any format or manner. CONNELY may enforce its intellectual property rights at its own discretion, failures or delays to exercise such rights does not constitute a waiver of such rights.



| REV. | DESCRIPTION | DRAWN | CHECKED | APPROVED |
|------|-------------|---------------|---------|----------|
| A | NEW RELEASE | JLZ 05/06/22' | | |
| | | | | |
| | | | | |

Notes:
Specifications:
 1. Contact Resistance: 25mΩ Max.
 2. Wire Range: AWG#10-#14.
Material:
 1. Contact Material: Copper Alloy.
Product Number Code:



| GENERAL TOLERANCE | | ANGLE TOLERANCE | | PROJECTION | TITLE |
|-------------------|---------------------|-----------------|--------|--|-------------------------------|
| X. | ±0.60 | X. | ±5° | | Solar Connectors Wire to Wire |
| .X | ±0.38 | .X | ±3° | mm | W/ Lock Type(Male Terminal) |
| .XX | ±0.25 | .XX | ±2° | A4 | SERIES DS1162-01 SERIES |
| DRAWING TYPE | CUSTOMER | | | 晨翔电子有限公司 CONNFLY CONNELY ELECTRONIC CO. LTD | |
| SCALE | 1:1 | SHEET | 3 OF 4 | | |
| DRAWING NO. | C-DS1162-01-XXXXX-A | | | | |

| | |
|------|-----|
| Dept | Qty |
| DC | 1 |
| ED | 1 |
| IE | 1 |
| ISO | 1 |
| PD | 1 |
| R&D | 1 |
| SD | 1 |
| QA | 1 |
| QC | 1 |
| QF | 1 |

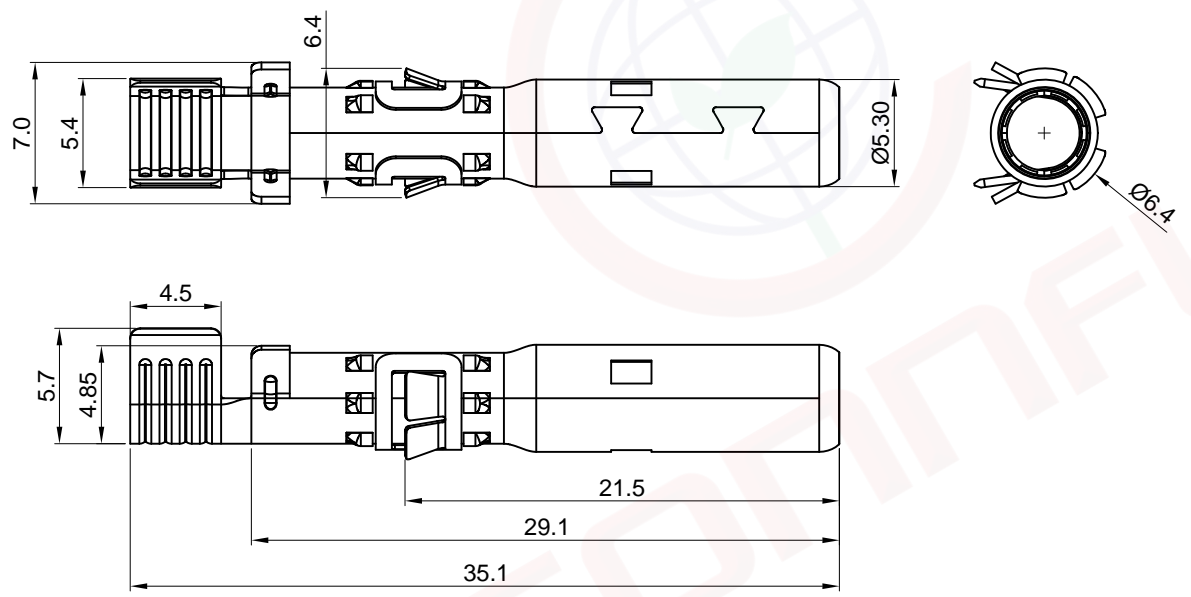
| REV. | DESCRIPTION | DRAWN | CHECKED | APPROVED |
|------|-------------|---------------|---------|----------|
| A | NEW RELEASE | JLZ 05/06/22' | | |
| | | | | |
| | | | | |

The information provided herein is from CONNELY Electronic Co., Ltd. and is confidential. Any disclosure to a party other than the recipient is prohibited. The intellectual properties and its rights contained herein, including but not limited to, trademarks, patents, copyrights, trade secrets, and technical know-how, are owned exclusively by CONNELY or its affiliates. Unauthorized use or reproduction of any part of this document is strictly prohibited. CONNELY reserves the right to make changes to this document without notice and to exercise such rights as it deems necessary for the protection of its intellectual property rights at its own discretion, failures or delays in exercising such rights does not constitute a waiver of such rights. CONNELY may enforce its intellectual property rights in any format or manner.

Notes:
Specifications:
 1. Contact Resistance: 25mΩ Max.
 2. Wire Range: AWG#10-#14.
Material:
 1. Contact Material: Copper Alloy.
Product Number Code:

T - DS1162-01 - S C X 00

- Contact plating
6: Tin
- Mounting type
C: Crimp type
- Contact type
S: Socket



| GENERAL TOLERANCE | | ANGLE TOLERANCE | |
|-------------------|---------------------|-----------------|--------|
| X. | ±0.60 | X. | ±5° |
| .X | ±0.38 | .X | ±3° |
| .XX | ±0.25 | .XX | ±2° |
| DRAWING TYPE | CUSTOMER | | |
| SCALE | 1:1 | SHEET | 4 OF 4 |
| DRAWING NO. | C-DS1162-01-XXXXX-A | | |

| | | | |
|------------|----|--------|---|
| PROJECTION | | TITLE | Solar Connectors Wire to Wire W/ Lock Type(Female Terminal) |
| UNITS | mm | SERIES | DS1162-01 SERIES |
| SHEET SIZE | A4 | | |

晨翔电子有限公司
CONNFLY ELECTRONIC CO. LTD