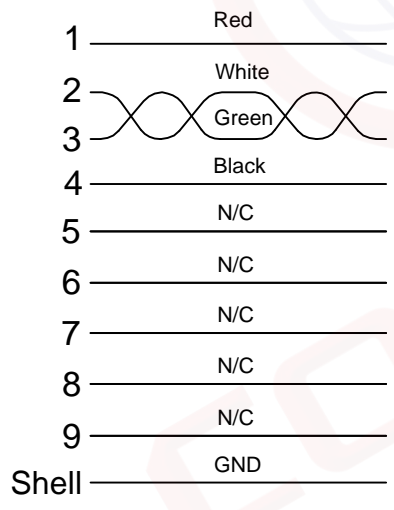
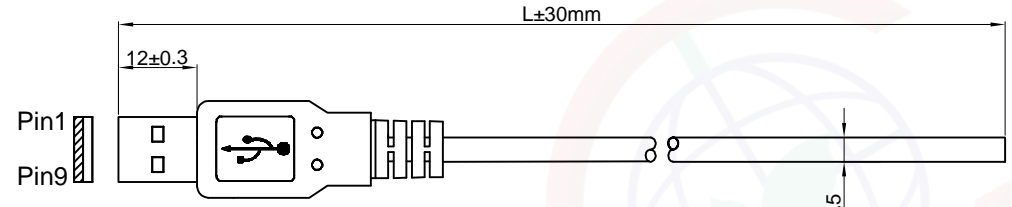


The information provided herein is from CONNELY Electronic Co., Ltd. and is confidential. Any disclosure to a party other than the recipient is prohibited. The intellectual properties and its rights contained herein, including but not limited to, trademarks, patents, copyrights, trade secrets, and technical know-how, are owned exclusively by CONNELY or its affiliates. Unauthorized use or reproduction of any part of this document is strictly prohibited. CONNELY reserves all rights and may enforce its intellectual property rights at its own discretion, failures or delays to exercise such rights does not constitute a waiver of such rights.

| REV. | DESCRIPTION | DRAWN | CHECKED | APPROVED |
|------|-------------|---------------|---------|----------|
| A | NEW RELEASE | JLZ 03/25/22' | | |
| | | | | |
| | | | | |

P1



Connection



(Series Image-Reference Only)

NOTES:

Specifications:

1. Contact resistance: 2Ω MAX.
2. Insulation resistance: 10MΩ MIN.
3. Temperature: -25°C~+85°C.

Materials:

1. Cable:UL2725 20AWG.
2. Connector: USB 3.0 Male
Insulator: PE & PVC
Shell:Steel,Nickel
3. PVC Molded: Black or White.

Product number code:

DS1163-04 - X X

Cable Length(Dim L)
0200:200mm 1000:1000mm
2000:2000mm

Colour of Molded
B:Black
W:White

| GENERAL TOLERANCE | | ANGLE TOLERANCE | | PROJECTION | | TITLE |
|-------------------|-------|------------------|--------|---|----|-------------------------|
| X. | ±0.60 | X. | ±5° | UNITS | mm | USB3.0 AM Data Cable |
| .X | ±0.38 | .X | ±3° | SHEET SIZE | A4 | SERIES DS1163-04 SERIES |
| .XX | ±0.25 | .XX | ±2° | 晨翔电子有限公司 CONNELY ELECTRONIC CO., LTD | | |
| DRAWING TYPE | | CUSTOMER | | | | |
| SCALE | 1:1 | SHEET | 1 OF 1 | | | |
| DRAWING NO. | | C-DS1163-04-XX-A | | | | |