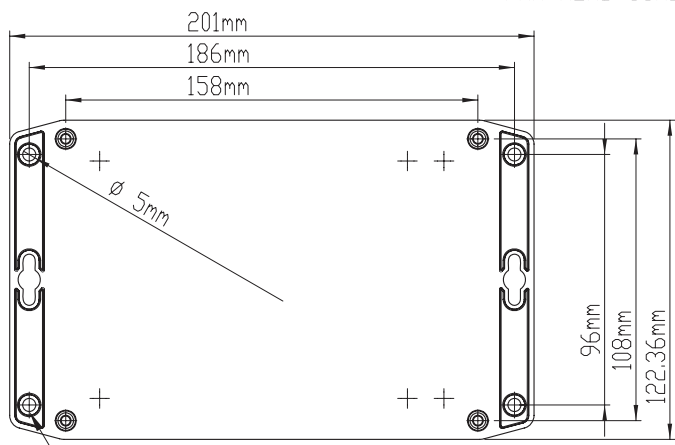
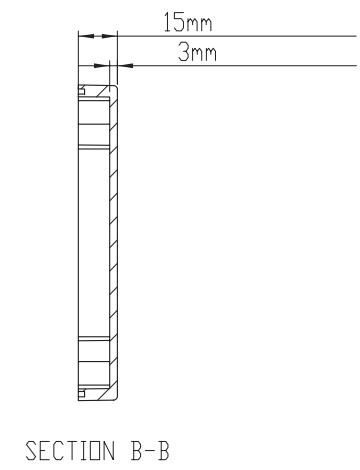
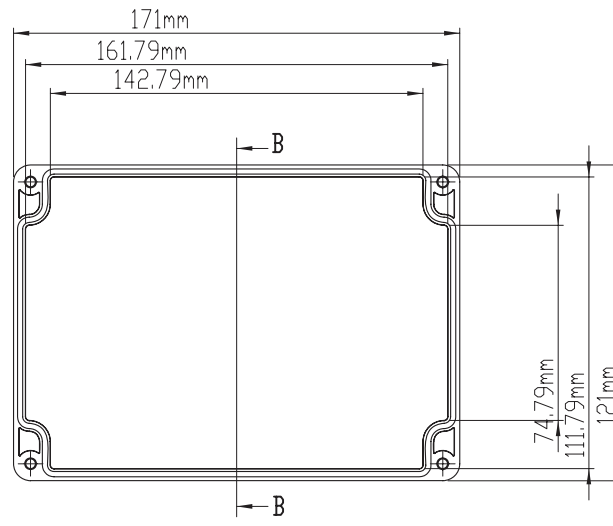
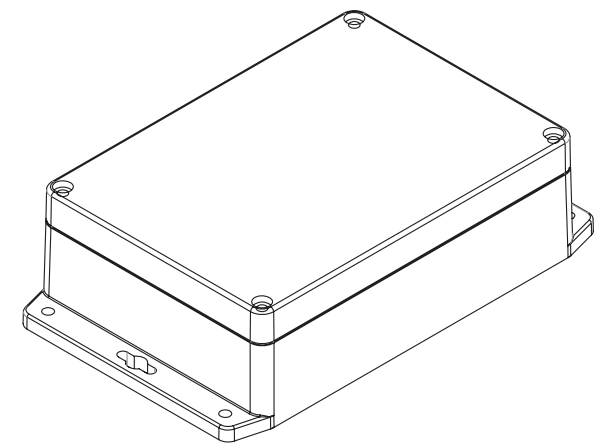
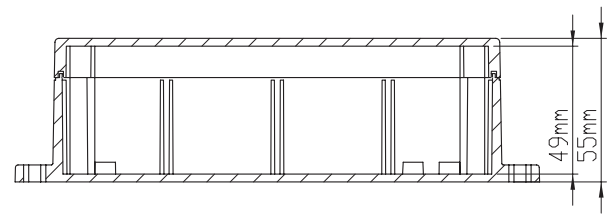
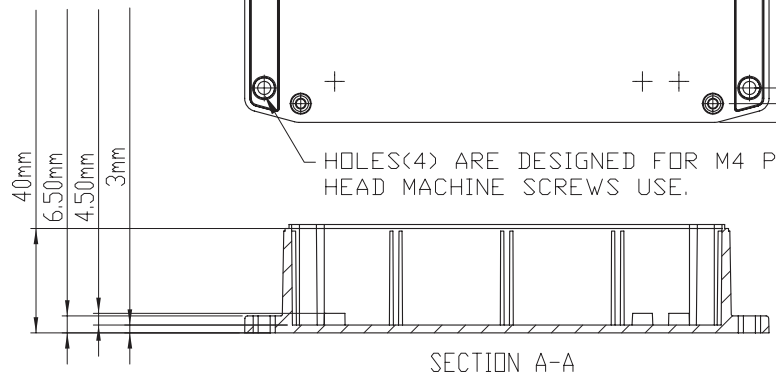
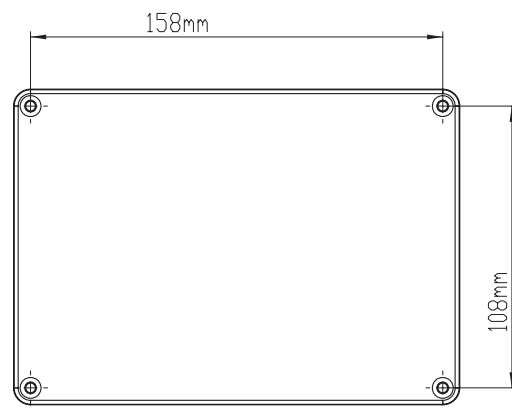


HOLES(6) ARE DESIGNED FOR SELF-TAPPING SCREWS USE.
M3X4mm



HOLES(4) ARE DESIGNED FOR M4 PAN HEAD MACHINE SCREWS USE.



TOLERANCES: +/- 0.30 mm (+/- 0.012in)

宣又實業有限公司
GAINTA INDUSTRIES LTD.

繪圖 DRA'D BY
JACKY

日期 DATE
2010/11/8

材質 MATE.
PC ; ABS

圖名TITLE:
G214MF ; G313MF

圖號DWG NO:

版次REVISID:
A