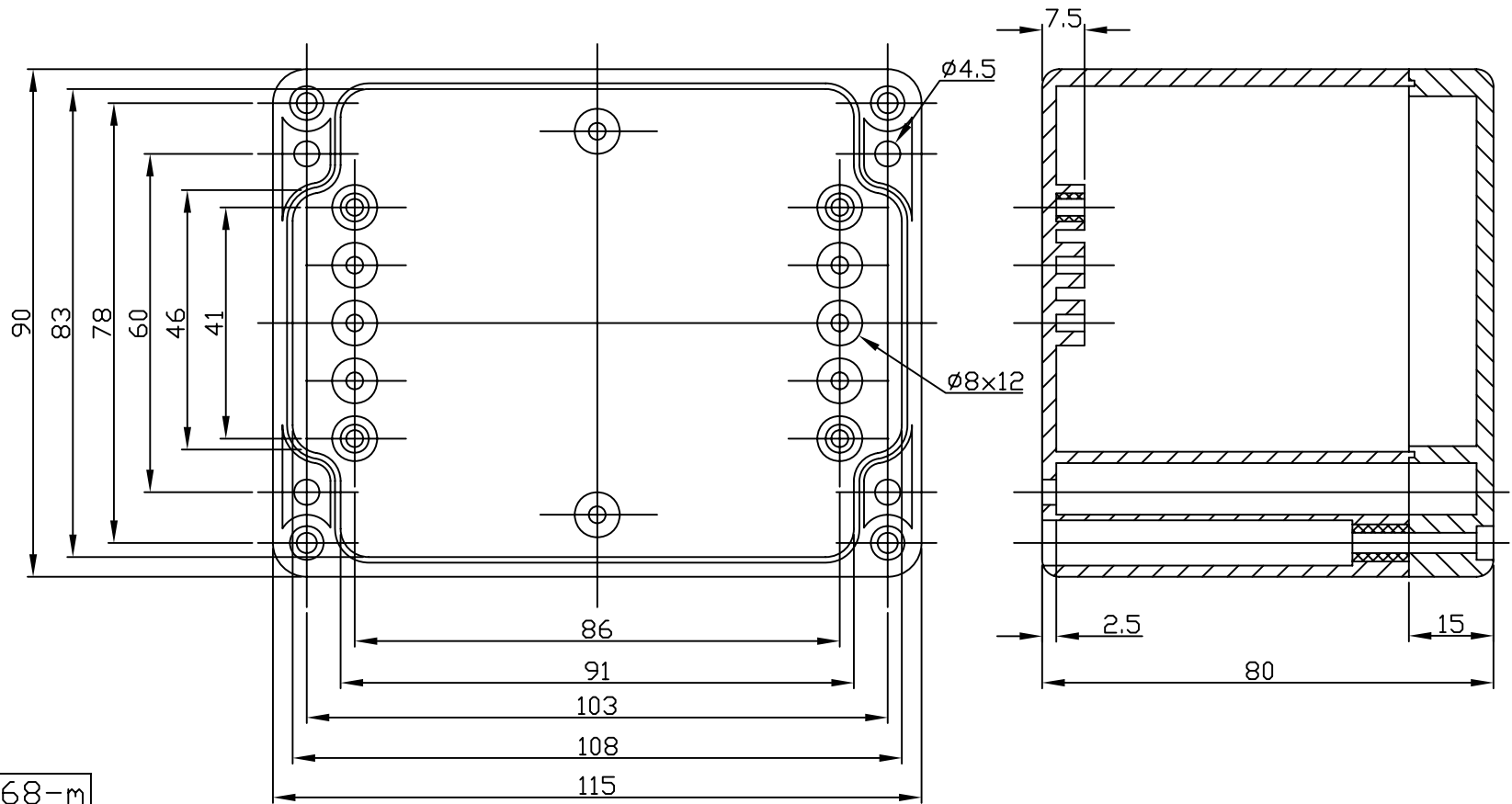


G331/G221



According to ISO 2768-m

Measuring DIM.=L	Tolerance
0.5<L≤3.0 mm	±0.1 mm
3.0<L≤6.0 mm	±0.1 mm
6.0<L≤30.0 mm	±0.2 mm
30.0<L≤120.0 mm	±0.3 mm
120.0<L≤400.0 mm	±0.5 mm
400.0<L≤1000.0 mm	±0.8 mm

宣又實業有限公司
GAINTA INDUSTRIES LTD.

設計 DES'D
BY

繪圖 DRA'D
BY

核圖 CHK'D
BY

比例 SCALE

日期 DATE

材質 MATE.

圖名 TITLE:

圖號 DWG NO.:

版次 REVISION

說明 DESCRIPTION

Spencer

Sep.18,2006

ABS,PC

G331,G221

B