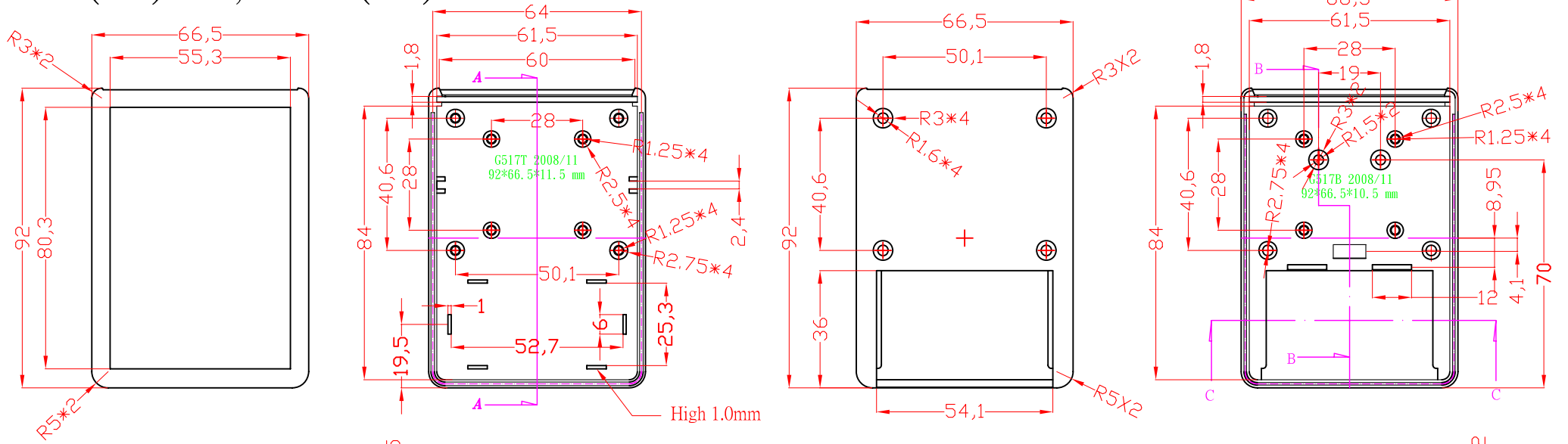
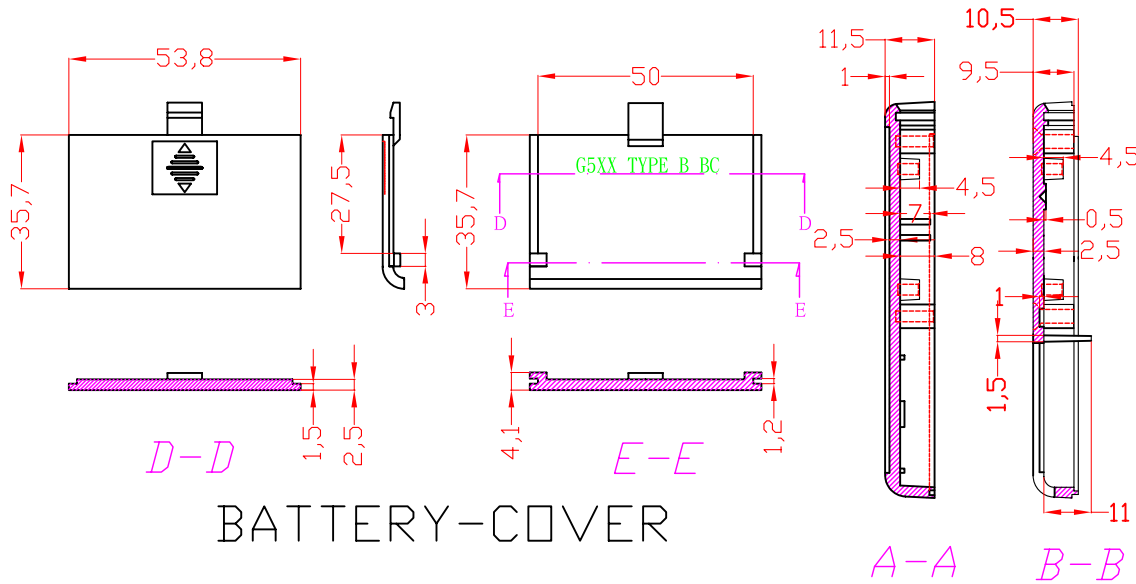


G517B(BC)-1@;G517G(BC)-1@

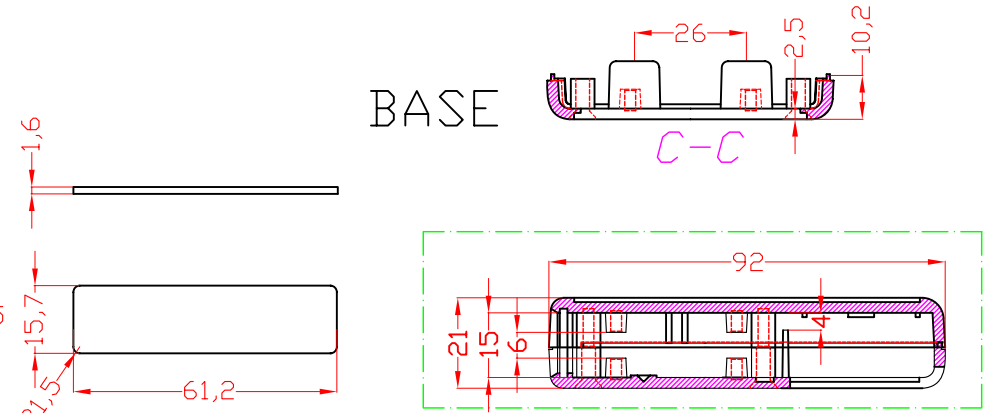


TOP

BASE



BATTERY-COVER



PANEL-"@"

According to ISO 2768-m			
Measuring DIM.=L	Tolerance	Measuring DIM.=L	Tolerance
0.5<L≤3.0 mm	±0.1 mm	30.0<L≤120.0 mm	±0.3 mm
3.0<L≤6.0 mm	±0.1 mm	120.0<L≤400.0 mm	±0.5 mm
6.0<L≤30.0 mm	±0.2 mm	400.0<L≤1000.0 mm	±0.8 mm

ITEM NO	DESCRIPTION
G517B(BC)-1@	BLACK(G517T+G517B+PANEL-"@"+B.C.)*1+M3*16 mm BLACK SCREWS *4
G517G(BC)-1@	GRAY(G517T+G517B+PANEL-"@"+B.C.)*1+M3*16 mm BLACK SCREWS *4

宣又實業有限公司
GAINTA INDUSTRIES LTD.

設計 DES'D BY
BY

繪圖 DRA'YD BY
BY

核圖 CHK'D BY
BY

比例 SCALE

日期 DATE

材質 MATE.

圖名 TITLE:

圖號 DWG NO.:

圖號 REVISID
A

說明 DESCRIPTION

JACKY

2009/1/7

ABS

G517B(BC)-1@;G517G(BC)-1@