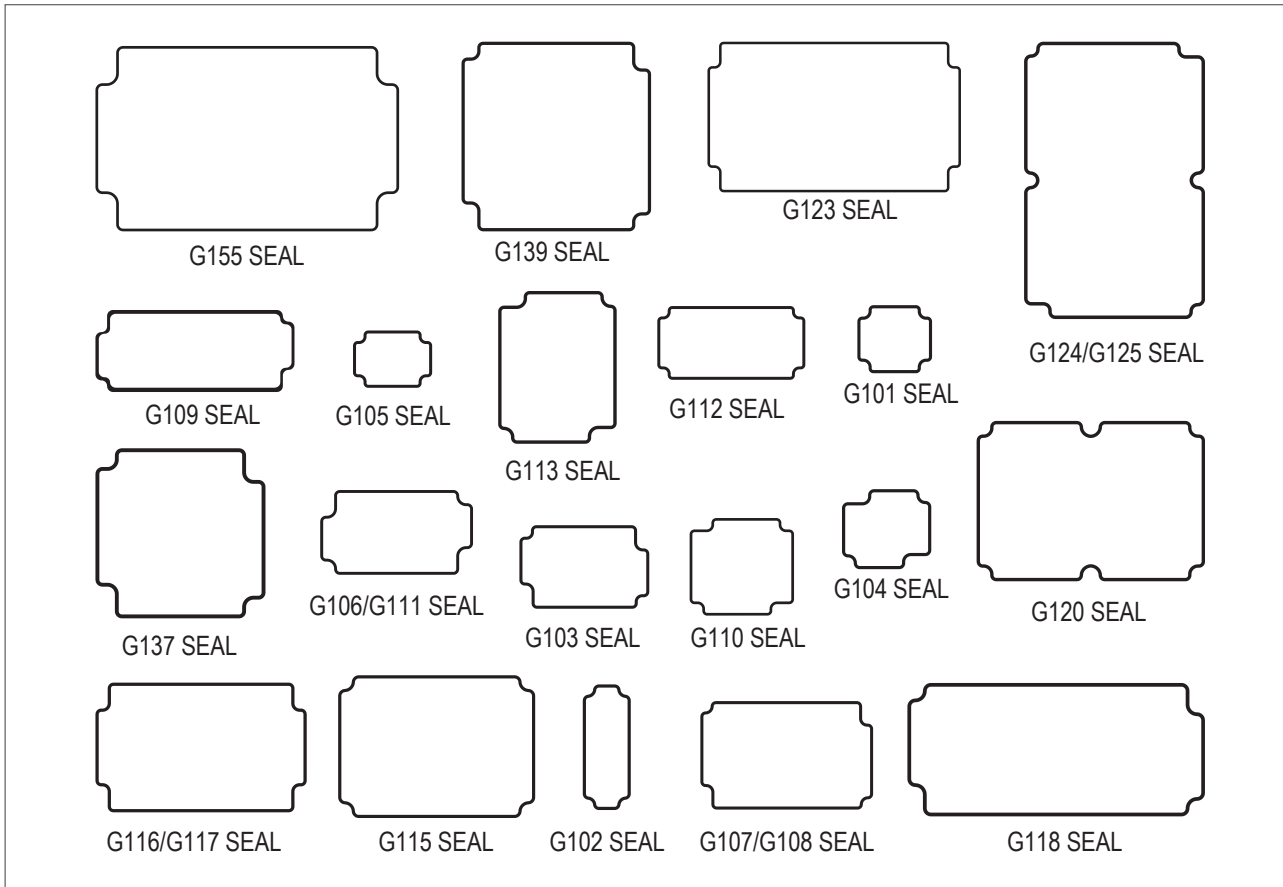


Continuous EPDM Seal for G1XX & G1XXMF Aluminium Boxes use



ITEM No.	MATERIAL	EXTERNAL DIMENSION(mm)
G101SEAL	EPDM	47.9 X 42.9 X 1.6
G102SEAL	EPDM	87.4 X 33.4 X 1.5
G103SEAL	EPDM	95.5 X 61.4 X 1.7
G104SEAL	EPDM	61.6 X 55.2 X 1.7
G105SEAL	EPDM	52.6 X 38.1 X 2.0
G106SEAL	EPDM	112.3 X 62.3 X 1.6
G107SEAL	EPDM	120.1 X 75.4 X 1.9
G108SEAL	EPDM	120.1 X 75.4 X 1.9
G109SEAL	EPDM	146.3 X 60.3 X 1.5
G110SEAL	EPDM	76.7 X 71.7 X 1.5
G111SEAL	EPDM	112.3 X 62.3 X 1.6
G112SEAL	EPDM	99.6 X 49.6 X 1.5
G113SEAL	EPDM	112.3 X 87.1 X 1.8
G115SEAL	EPDM	144.8 X 104.9 X 1.5
G116SEAL	EPDM	155.3 X 95.3 X 1.5
G117SEAL	EPDM	155.3 X 95.3 X 1.5
G118SEAL	EPDM	172.1 X 77.1 X 1.5
G120SEAL	EPDM	167.9 X 117.8 X 1.9
G123SEAL	EPDM	197.1 X 117.1 X 1.5
G124SEAL	EPDM	221.0 X 144.2 X 2.2
G125SEAL	EPDM	221.0 X 144.2 X 2.2
G137SEAL	EPDM	118.2 X 118.2 X 1.7
G139SEAL	EPDM	156.2 X 156.2 X 1.6
G155SEAL	EPDM	256.7 X 156.7 X 1.7

Example

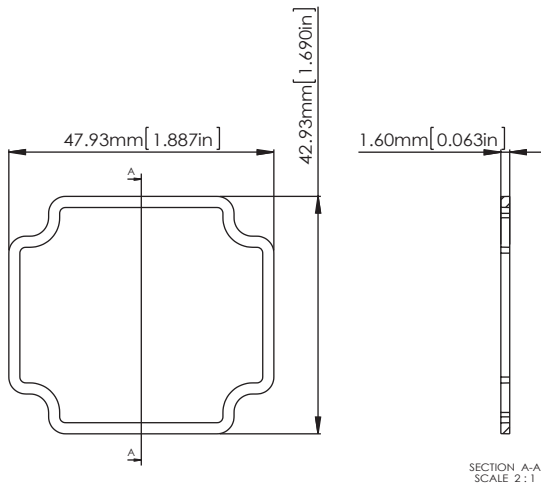


G104-IP67

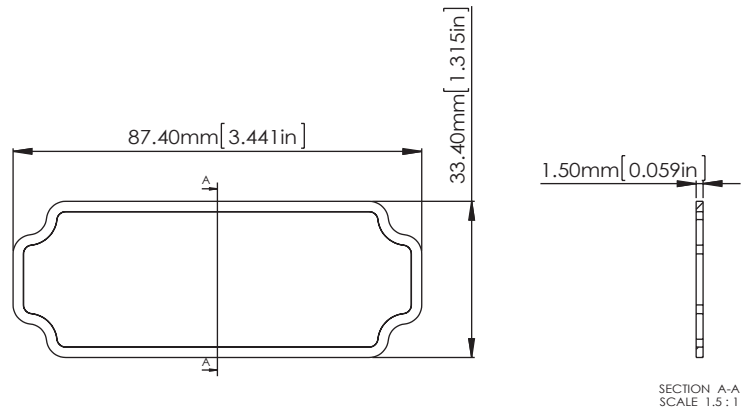


G104MF-IP67

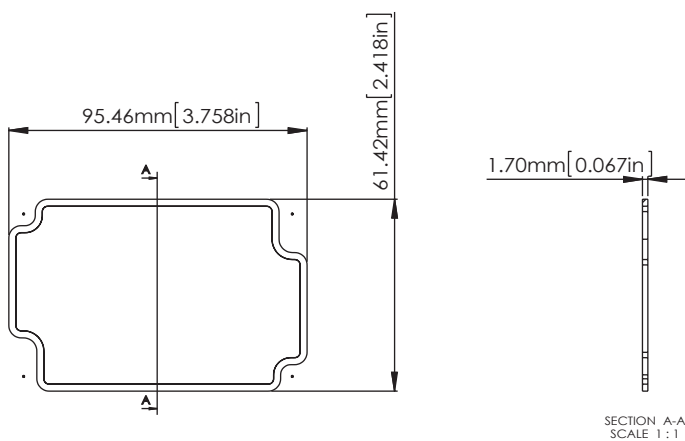
G101-Seal



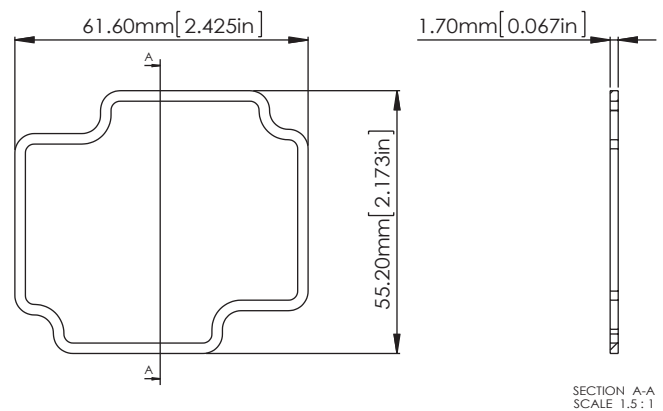
G102-Seal



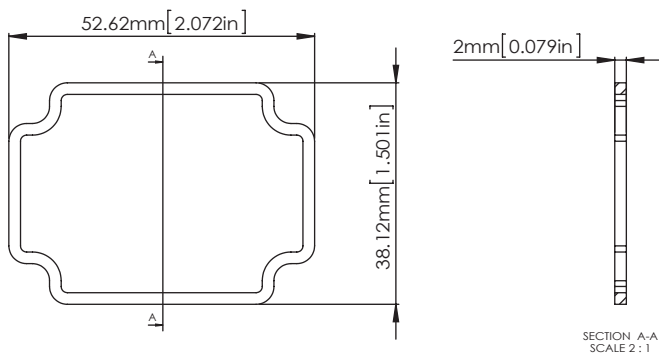
G103-Seal



G104-Seal

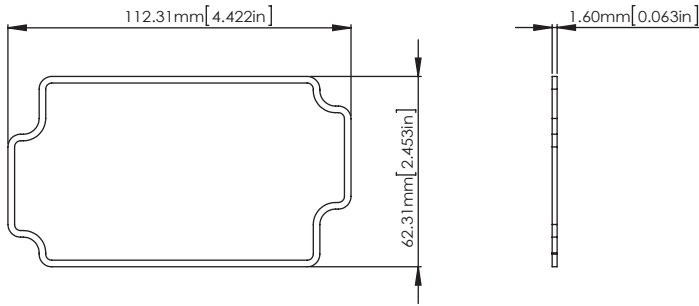


G105-Seal

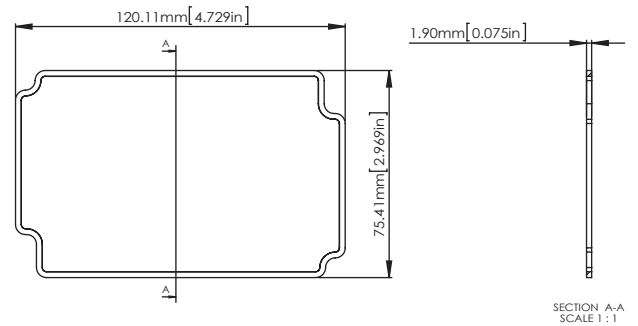


According to ISO 2768-m	
Measuring DIM=L	Tolerances
0.5<L<=3.0mm	±0.1mm
3.0<L<=6.0 mm	±0.1mm
6.0<L<=30.0 mm	±0.2mm
30.0<L<=120.0 mm	±0.3mm
120.0<L<=400.0 mm	±0.5mm
400.0<L<=1000.0 mm	±0.8mm

G106 / G111-Seal

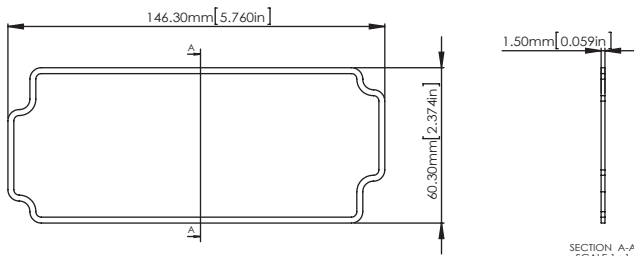


G107 / G108-Seal



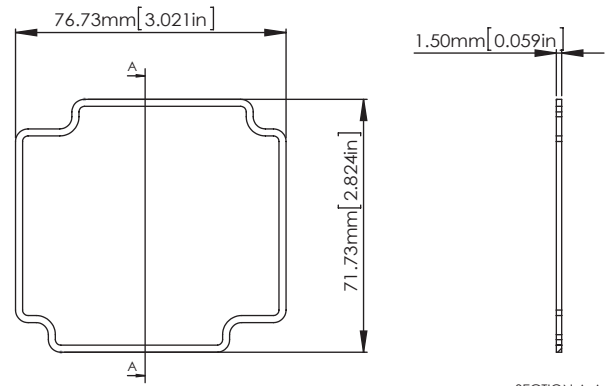
SECTION A-A
SCALE 1 : 1

G109-Seal



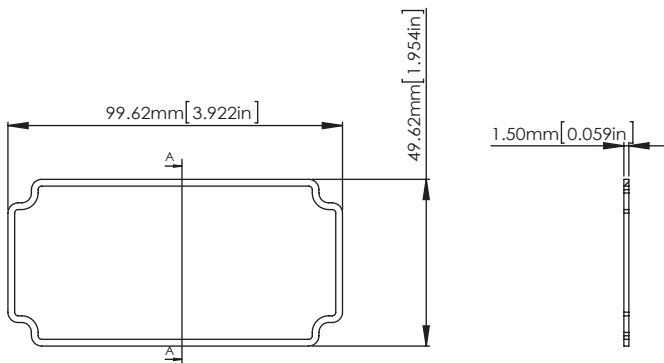
SECTION A-A
SCALE 1 : 1

G110-Seal



SECTION A-A
SCALE 1 : 1

G112-Seal

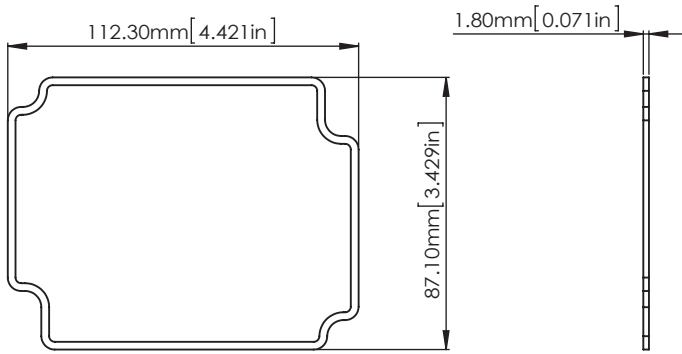


SECTION A-A
SCALE 1 : 1

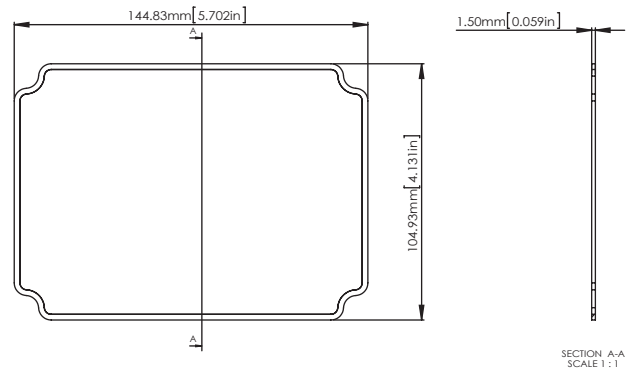
According to ISO 2768-m

Measuring DIM=L	Tolerances
0.5<L<=3.0mm	±0.1mm
3.0<L<=6.0 mm	±0.1mm
6.0<L<=30.0 mm	±0.2mm
30.0<L<=120.0 mm	±0.3mm
120.0<L<=400.0 mm	±0.5mm
400.0<L<=1000.0 mm	±0.8mm

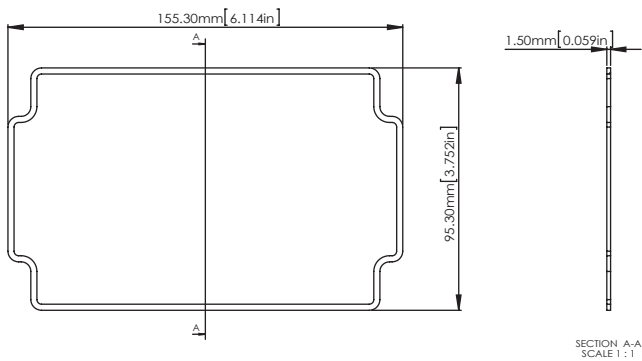
G113-Seal



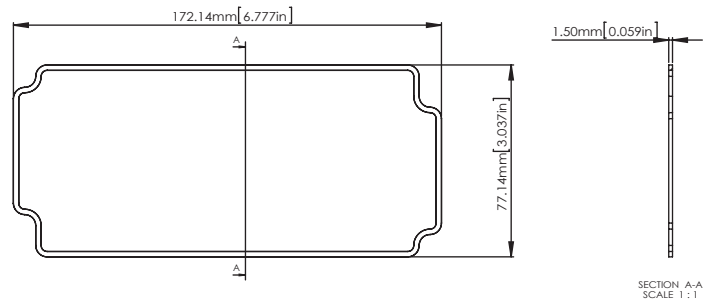
G115-Seal



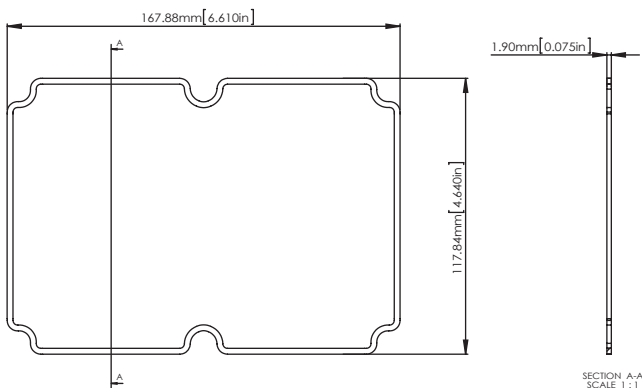
G116 / G117-Seal



G118-Seal



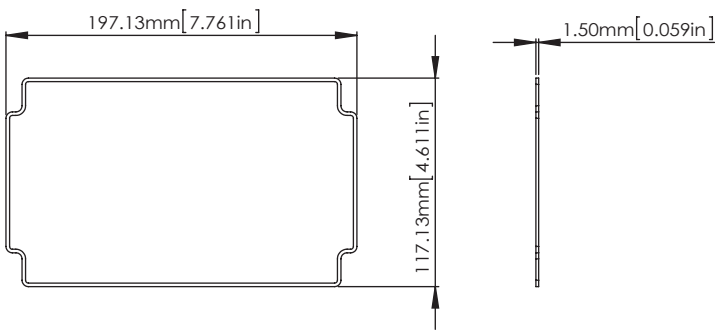
G120-Seal



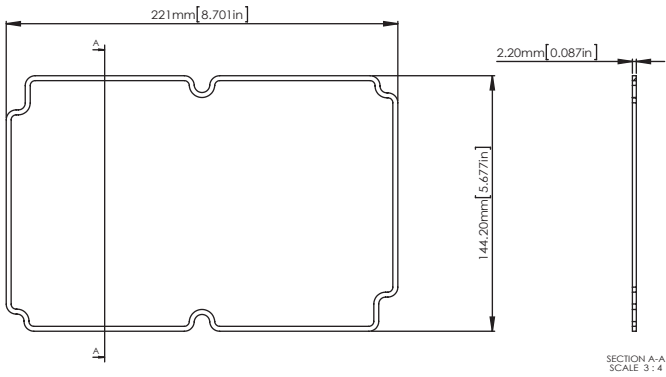
According to ISO 2768-m

Measuring DIM=L	Tolerances
0.5<L<=3.0mm	±0.1mm
3.0<L<=6.0 mm	±0.1mm
6.0<L<=30.0 mm	±0.2mm
30.0<L<=120.0 mm	±0.3mm
120.0<L<=400.0 mm	±0.5mm
400.0<L<=1000.0 mm	±0.8mm

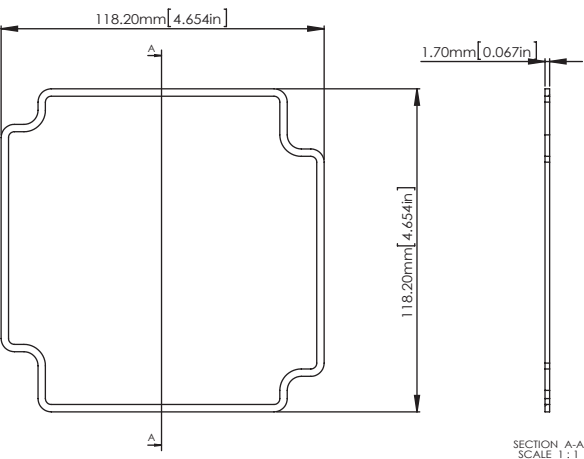
G123-Seal



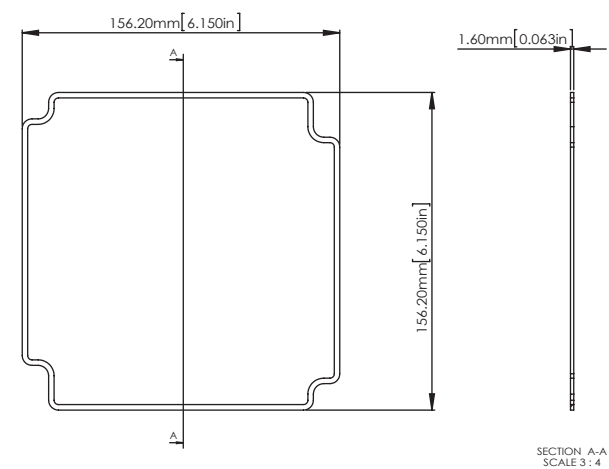
G124 / G125-Seal



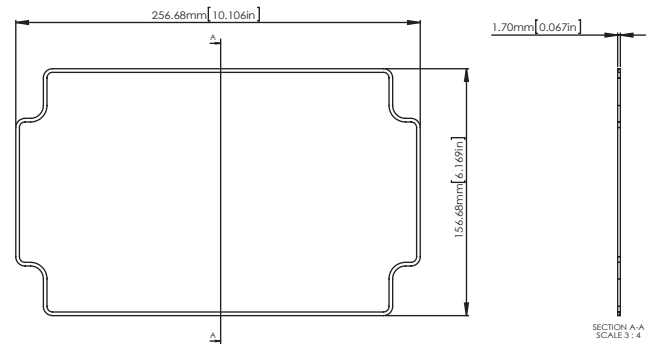
G137-Seal



G139-Seal



G155-Seal



According to ISO 2768-m	
Measuring DIM=L	Tolerances
0.5<L<=3.0mm	±0.1mm
3.0<L<=6.0 mm	±0.1mm
6.0<L<=30.0 mm	±0.2mm
30.0<L<=120.0 mm	±0.3mm
120.0<L<=400.0 mm	±0.5mm
400.0<L<=1000.0 mm	±0.8mm