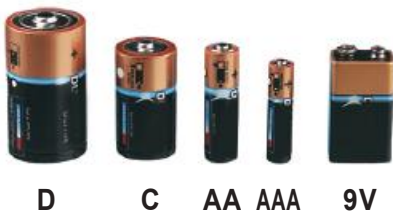


Battery type:



Part No.	Description
GSN-9V-1A	9V BATTERY HOLDER WITH 150MM OF WIRES
● GSN-11-1PP	1 X D BATTERY HOLDER WITH 150 MM OF WIRES
● GSN-12-1PP	2 X D BATTERY HOLDER WITH 150 MM OF WIRES
● GSN-14-2PP	4 X D BATTERY HOLDER WITH 150 MM OF WIRES
● GSN-16-1PP	6 X D BATTERY HOLDER WITH 150 MM OF WIRES
● GSN-22-1PP	2 X C BATTERY HOLDER WITH 150 MM OF WIRES
● GSN-24-2PP	4 X C BATTERY HOLDER WITH 150 MM OF WIRES
● GSN-31-1PP	1 X AA BATTERY HOLDER WITH 150 MM OF WIRES
GSN-32-2PP	2 X AA BATTERY HOLDER WITH 150 MM OF WIRES
● GSN-32-1PP	2 X AA BATTERY HOLDER WITH 150 MM OF WIRES
● GSN-33-1PP	3 X AA BATTERY HOLDER WITH 150 MM OF WIRES
GSN-34-2PP	4 X AA BATTERY HOLDER WITH 150 MM OF WIRES
● GSN-34-1PP	4 X AA BATTERY HOLDER WITH 150 MM OF WIRES
● GSN-36-2PP	6 X AA BATTERY HOLDER WITH 150 MM OF WIRES
● GSN-36-1PP	6 X AA BATTERY HOLDER WITH 150 MM OF WIRES
GSN-42-1PP	2 X AAA BATTERY HOLDER WITH 150 MM OF WIRES
● GSN-38-2PP	8 X AA BATTERY HOLDER WITH 150 MM OF WIRES

● New product

Plastic Material	Spring / Finish	Terminal / Finish	Wire
PP	Steel / Nickel plating	Brass / Nickel plating	AWG26(UL1007), red/black, length:150mm

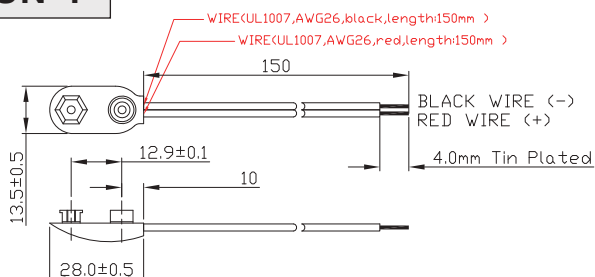
▶ Wire lead type of battery Clip



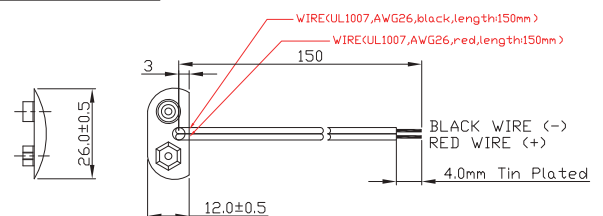
Part No.	Description
GSN-1	9V BATTERY CLIP WITH 150 MM OF WIRES <SIDE>
GSN-2	9V BATTERY CLIP WITH 150 MM OF WIRES <MIDDLE>

Plastic Material	Female / male Snap	Wire
PVC	Brass / Nickel plating	AWG26(UL1007), red/black, length:150mm

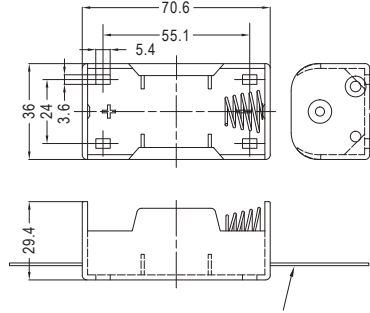
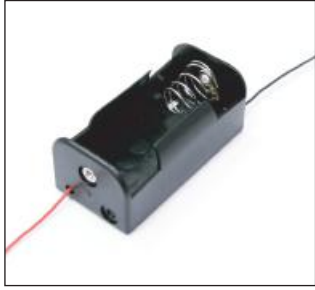
GSN-1



GSN-2

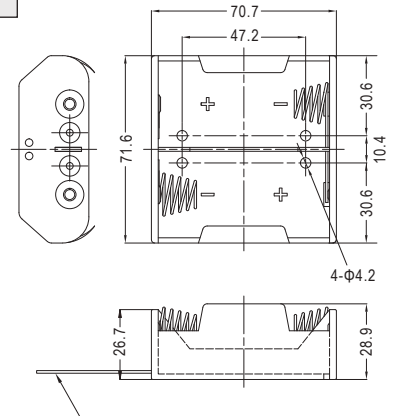


GSN-11-1PP



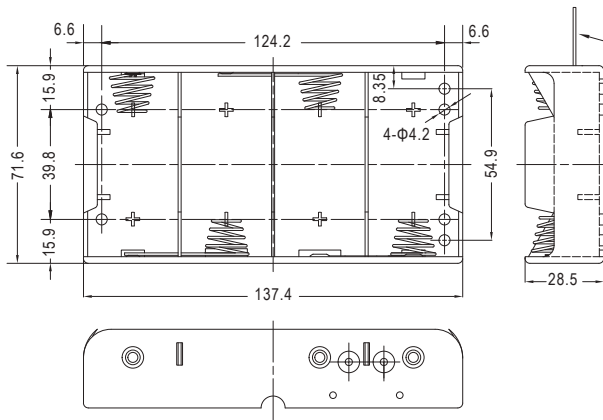
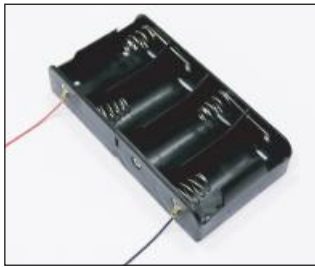
AWG26(UL1007), red/black, length:150mm

GSN-12-1PP



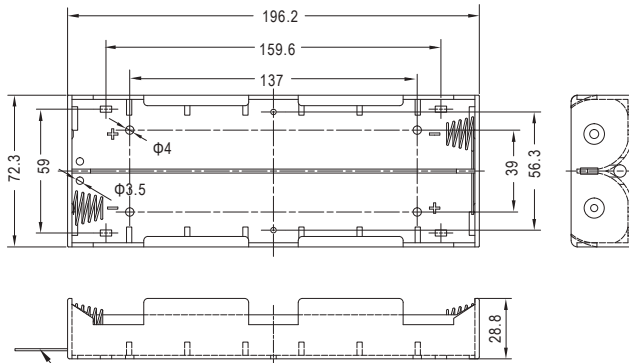
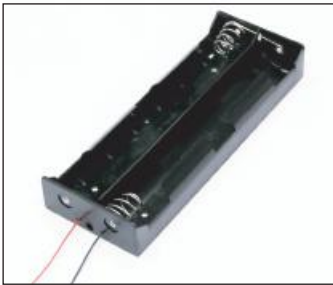
AWG26(UL1007), red/black, length:150mm

GSN-14-2PP



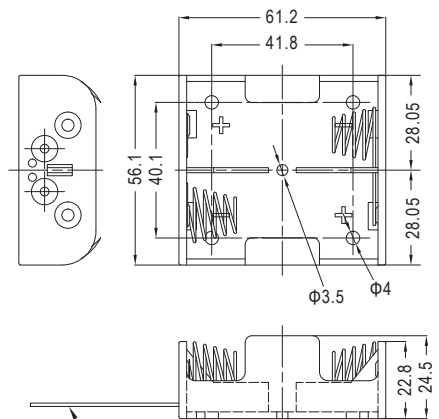
AWG26(UL1007), red/black, length:150mm

GSN-16-1PP



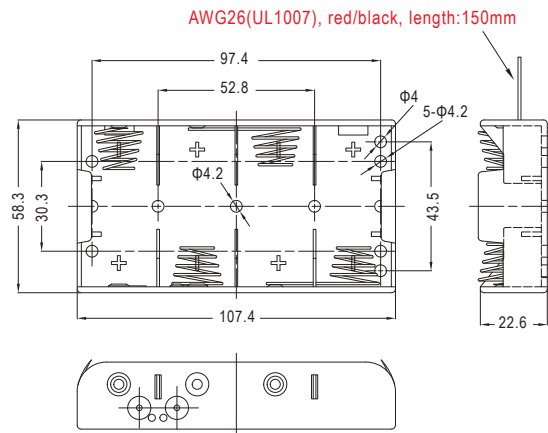
AWG26(UL1007), red/black, length:150mm

GSN-22-1PP



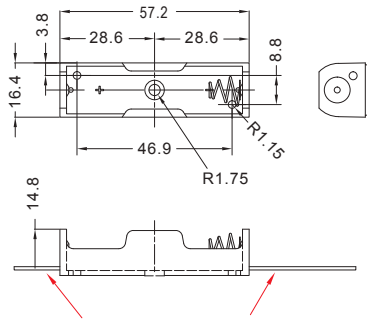
AWG26(UL1007), red/black, length:150mm

GSN-24-2PP



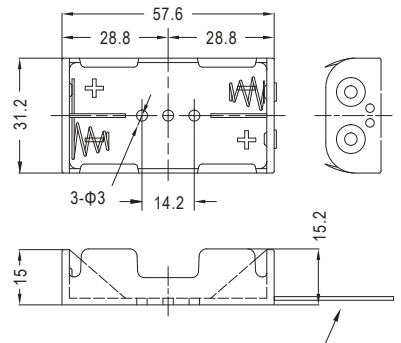
AWG26(UL1007), red/black, length:150mm

GSN-31-1PP



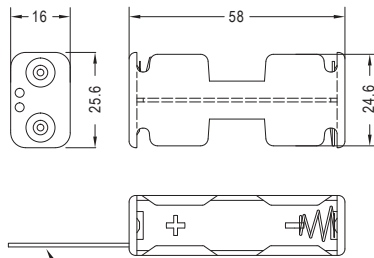
AWG26(UL1007), red/black, length:150mm

GSN-32-2PP



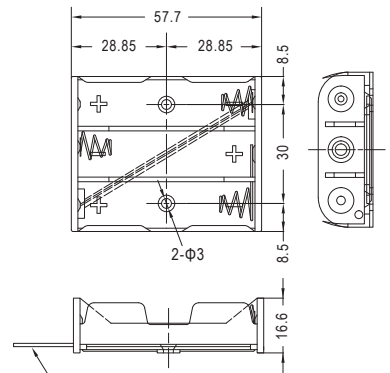
AWG26(UL1007), red/black, length:150mm

GSN-32-1PP



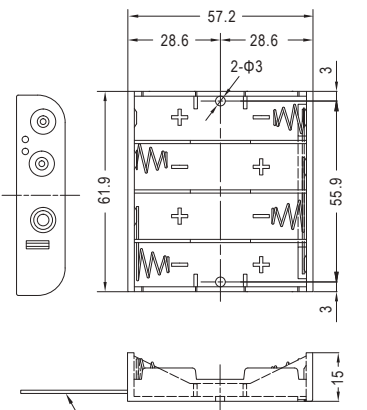
AWG26(UL1007), red/black, length:150mm

GSN-33-1PP



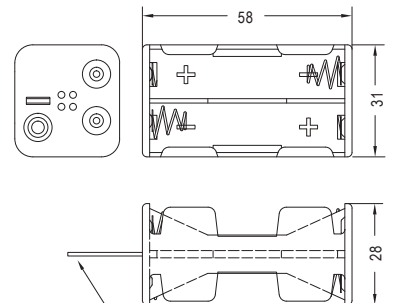
AWG26(UL1007), red/black, length:150mm

GSN-34-2PP



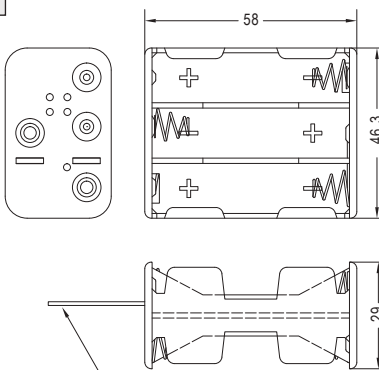
AWG26(UL1007), red/black, length:150mm

GSN-34-1PP



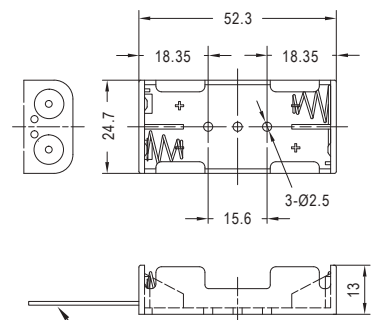
AWG26(UL1007), red/black, length:150mm

GSN-36-1PP



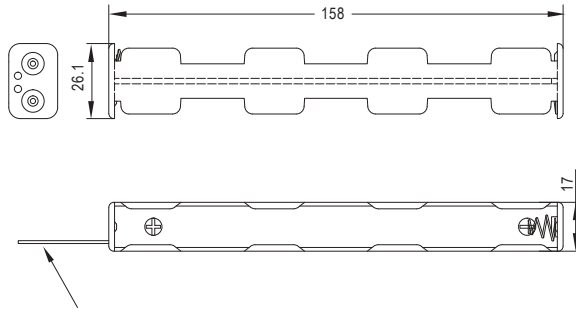
AWG26(UL1007), red/black, length:150mm

GSN-42-1PP



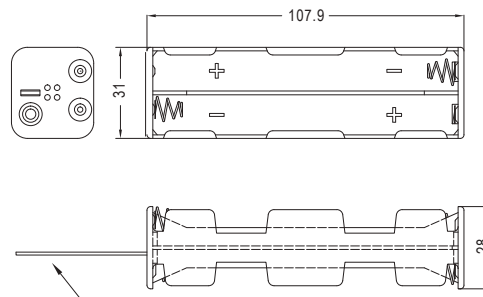
AWG26(UL1007), red/black, length:150mm

GSN-36-2PP



AWG26(UL1007), red/black, length:150mm

GSN-38-2PP



AWG26(UL1007), red/black, length:150mm

GSN-9V-1A

