

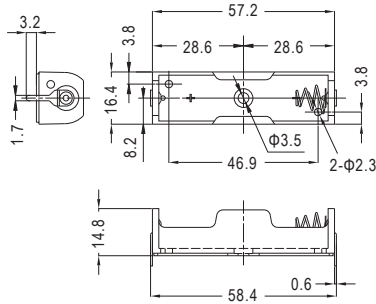
**NEW**



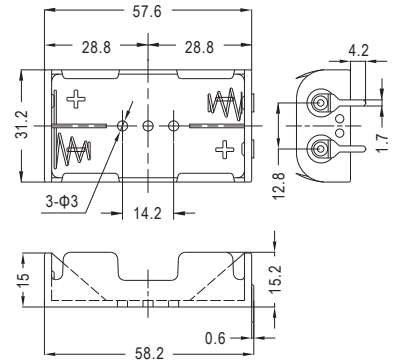
Part No.	Description
<b>GSN-31-1PM</b>	1 X AA BATTERY HOLDER WITH PC PIN
<b>GSN-32-2PM</b>	2 X AA BATTERY HOLDER WITH PC PIN
<b>GSN-33-1PM</b>	3 X AA BATTERY HOLDER WITH PC PIN
<b>GSN-34-2PM</b>	4 X AA BATTERY HOLDER WITH PC PIN
<b>GSN-42-1PM</b>	2 X AAA BATTERY HOLDER WITH PC PIN

Plastic Material	Spring / Finish	Terminal / Finish	PC PIN
PP	Steel / Nickel plating	Brass / Nickel plating	Steel / Nickel plating

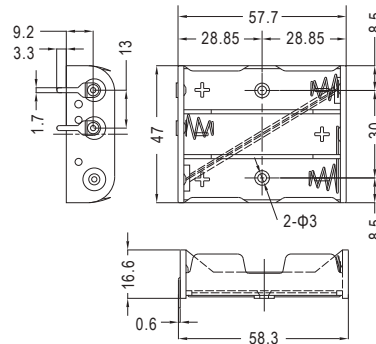
**GSN-31-1PM**



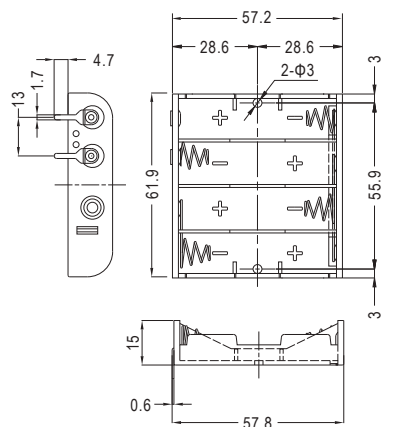
**GSN-32-2PM**



**GSN-33-1PM**



**GSN-34-2PM**



**GSN-42-1PM**

