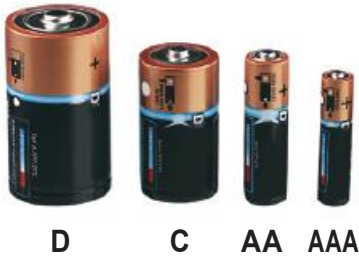


**NEW**



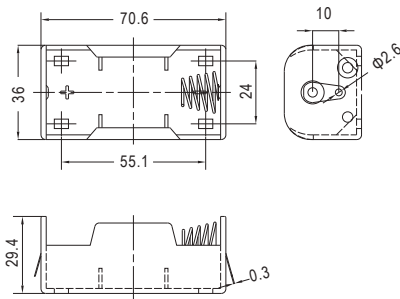
Battery type:



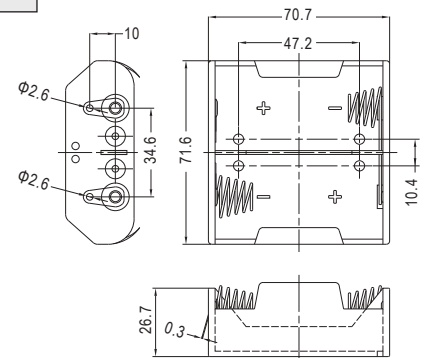
Part No.	Description
GSN-11-1SL	1 X D BATTERY HOLDER WITH SOLDER LUG
GSN-12-1SL	2 X D BATTERY HOLDER WITH SOLDER LUG
GSN-14-2SL	4 X D BATTERY HOLDER WITH SOLDER LUG
GSN-16-1SL	6 X D BATTERY HOLDER WITH SOLDER LUG
GSN-22-1SL	2 X C BATTERY HOLDER WITH SOLDER LUG
GSN-24-2SL	4 X C BATTERY HOLDER WITH SOLDER LUG
GSN-31-1SL	1 X AA BATTERY HOLDER WITH SOLDER LUG
GSN-32-2SL	2 X AA BATTERY HOLDER WITH SOLDER LUG
GSN-32-1SL	2 X AA BATTERY HOLDER WITH SOLDER LUG
GSN-33-1SL	3 X AA BATTERY HOLDER WITH SOLDER LUG
GSN-34-2SL	4 X AA BATTERY HOLDER WITH SOLDER LUG
GSN-34-1SL	4 X AA BATTERY HOLDER WITH SOLDER LUG
GSN-36-2SL	6 X AA BATTERY HOLDER WITH SOLDER LUG
GSN-36-1SL	6 X AA BATTERY HOLDER WITH SOLDER LUG
GSN-42-1SL	2 X AAA BATTERY HOLDER WITH SOLDER LUG
GSN-38-2SL	8 X AA BATTERY HOLDER WITH SOLDER LUG

Holder Material	Spring / Finish	Terminal / Finish	Solder lug
PP	Steel / Nickel plating	Brass / Nickel plating	Brass / Nickel plating

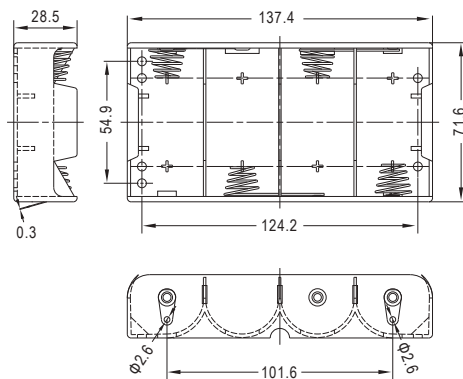
**GSN-11-1SL**



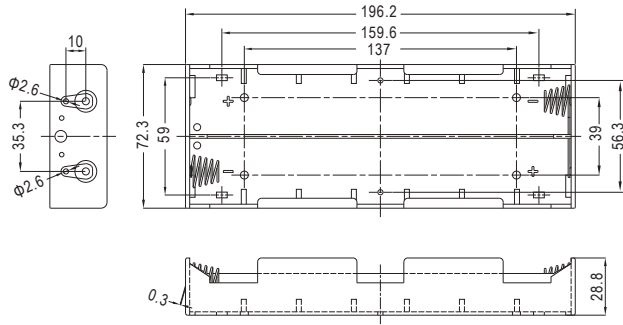
**GSN-12-1SL**



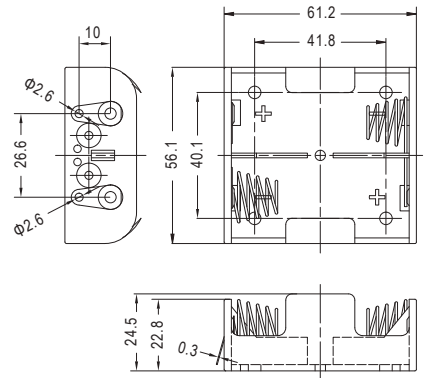
**GSN-14-2SL**



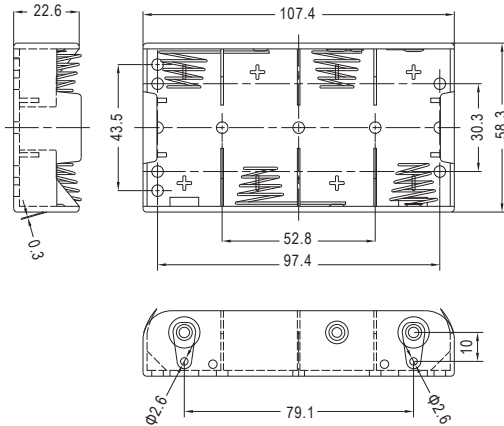
**GSN-16-1SL**



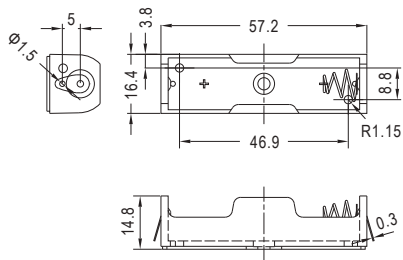
**GSN-22-1SL**



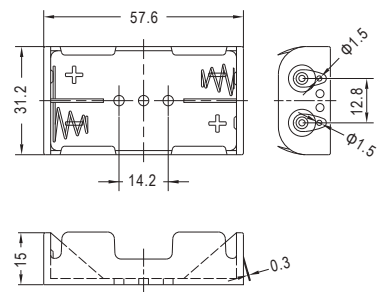
**GSN-24-2SL**



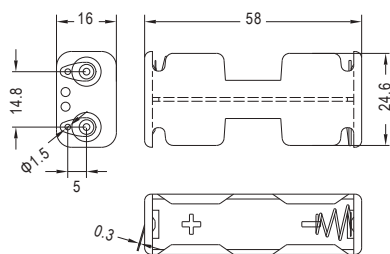
**GSN-31-1SL**



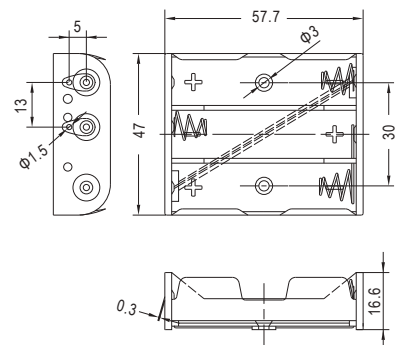
**GSN-32-2SL**



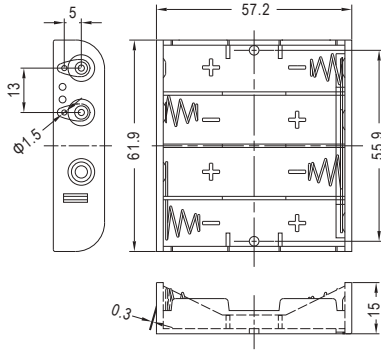
**GSN-32-1SL**



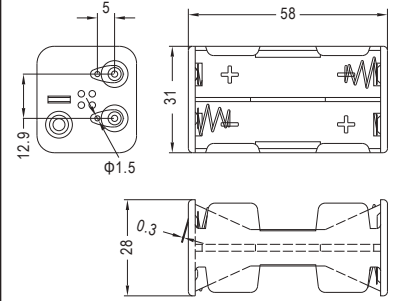
**GSN-33-1SL**



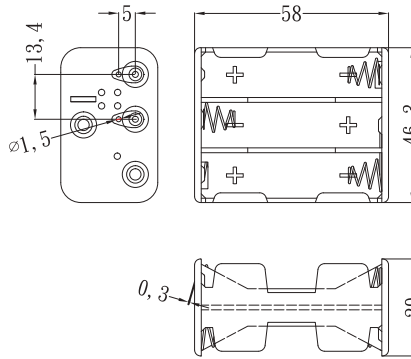
**GSN-34-2SL**



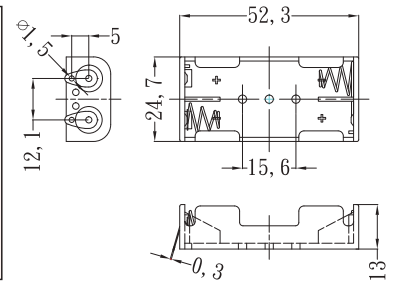
**GSN-34-1SL**



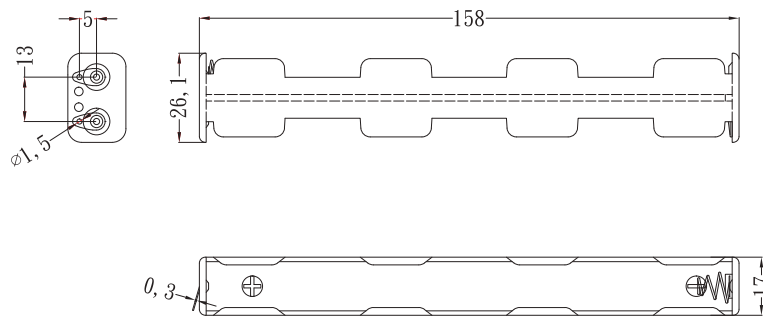
**GSN-36-1SL**



**GSN-42-1SL**



**GSN-36-2SL**



**GSN-38-2SL**

