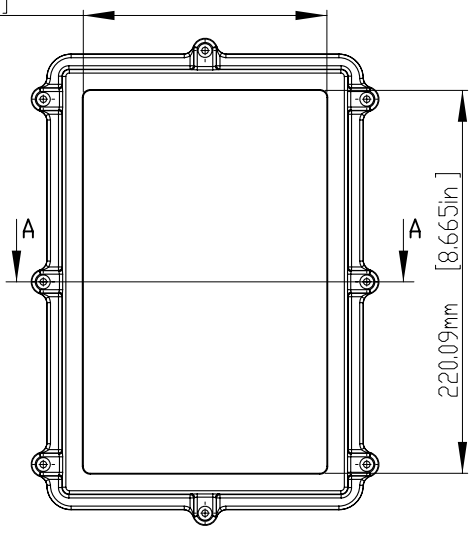


SECTION C-C
SCALE 1 : 3

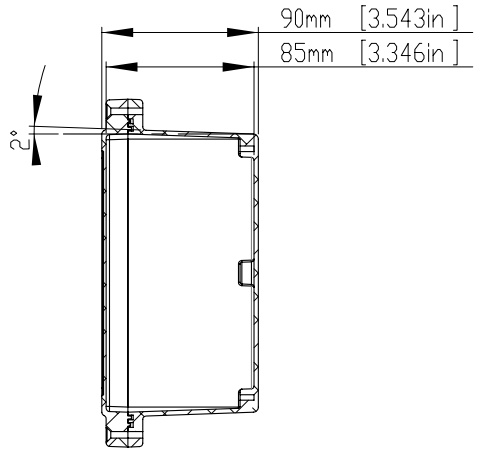
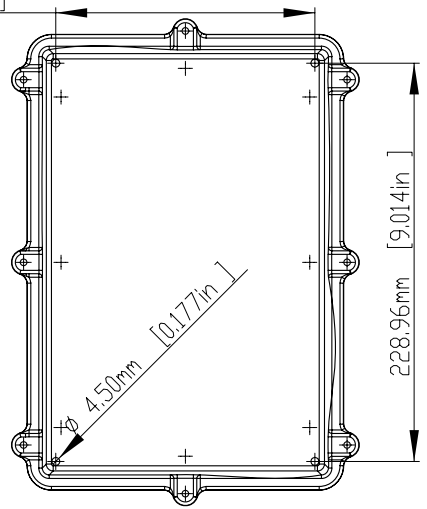
SECTION B-B
SCALE 1 : 3

140.09mm [5.515in]



SECTION A-A
SCALE 1 : 3

148.96mm [5.865in]



TOLERANCES: +/- 0.30 mm (+/- 0.012in)

宣又實業有限公司 GAINTA INDUSTRIES LTD.	繪圖	DRA'D BY	日期	DATE	材質	MATE.	圖名TITLE:	圖號DWG NO:	版次REVISID:
		JACKY		2010/1/20		ALUMINIUM ALLOY ADC-12	HQ035		A

ITEM NO	DESCRIPTION
HQ035	NATURAL ALUMINIUM BOX(WITOUT THE GASKET)
HQ035S	@@ IP67 RATING @@(WITH THE SILICON GASKET)
HQ035EMS	@@ IP67 RATING @@(WITH THE SILICON & SHIELDED GASKET)

MATERIAL: ALUMINUM ALLOY #ADC-12

FINISH: NATURAL (NO SUFFIX)
GRAY (SUFFIX -LG)
BLACK (SUFFIX -BK)

1)EIGHT(8) M4 x 20mm (0.787") LG. SCREWS
SUPPLIED FOR ASSEMBLY OF COVER TO BODY.
2) ALL HOLE DIAMETERS HAVE ±0.10mm TOLERANCE
ALL OTHER DIMENSIONS HAVE ±0.30 mm TOLERANCE

宣又實業有限公司
GAINTA INDUSTRIES LTD.

繪圖 DRA'D BY
JACKY

日期 DATE
2010/1/20

材質 MATE.
ALUMINIUM ALLOY ADC-12

圖名TITLE:
HQ035

圖號DWG NO:

版次REVISID:

A