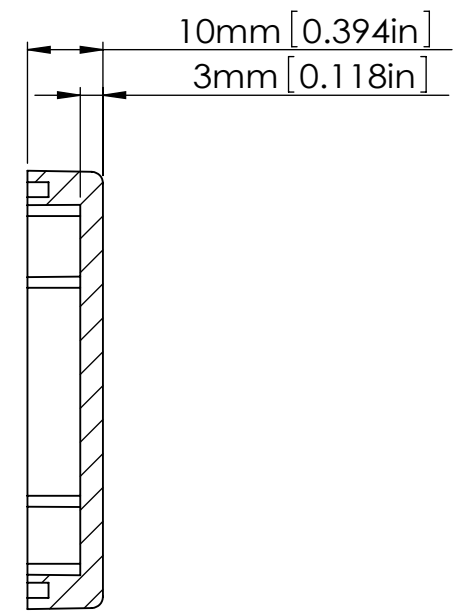
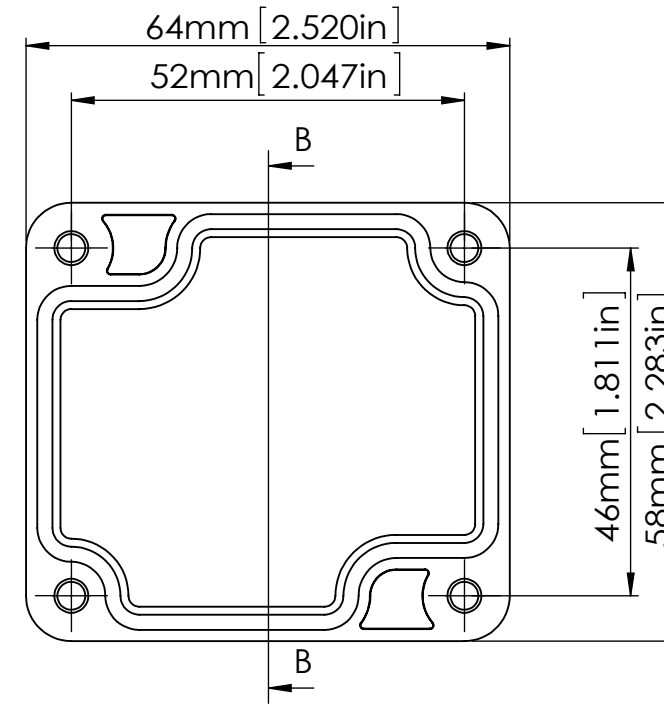
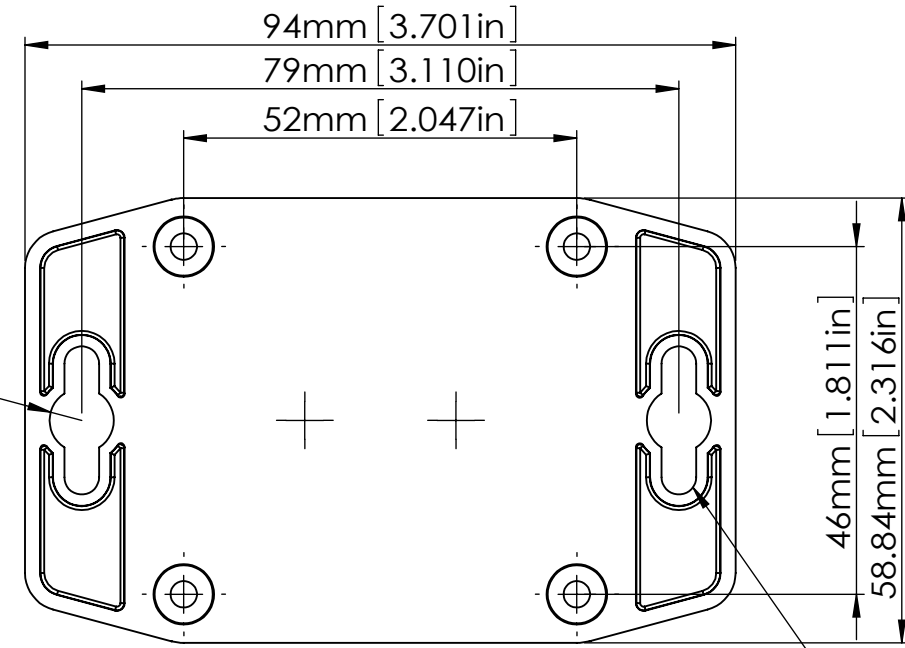


M3X4mm SELF-TAPPING SCREWS
(NOT SUPPLIED).

FOUR (4) M4X20mm
PAN HEAD SCREWS.



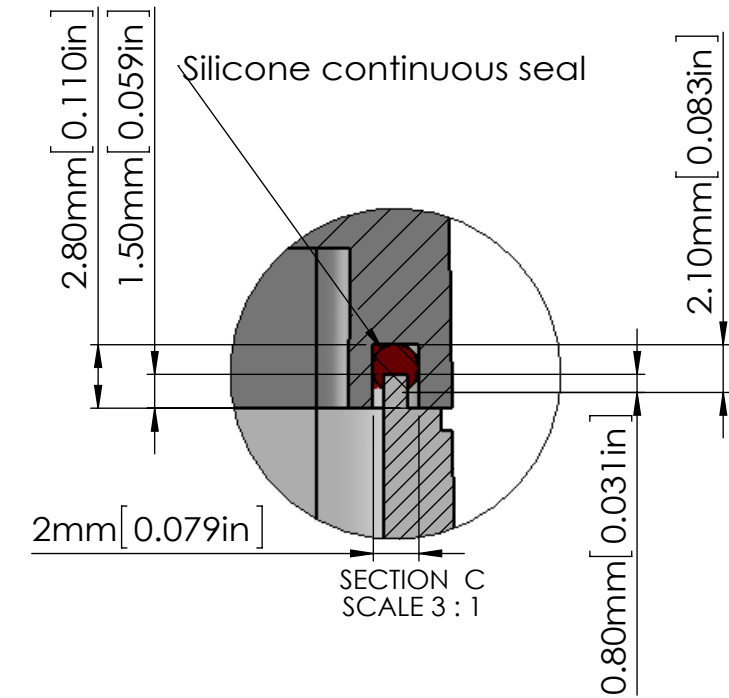
SECTION B-B
SCALE 1 : 1



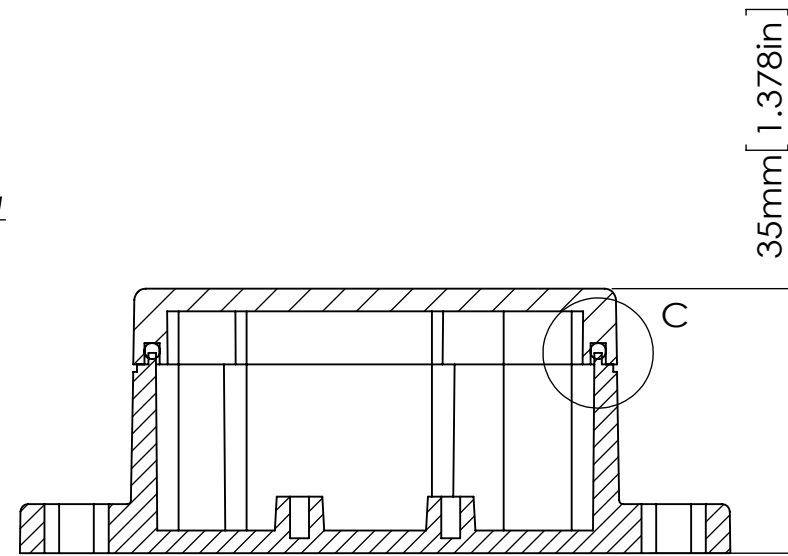
HOLES(2) ARE DESIGNED FOR M4 PAN HEAD
SCREWS(NOT SUPPLIED).

R4.25mm [0.167in]

25mm [0.984in]
6.50mm [0.256in]
4.50mm [0.177in]
3mm [0.118in]



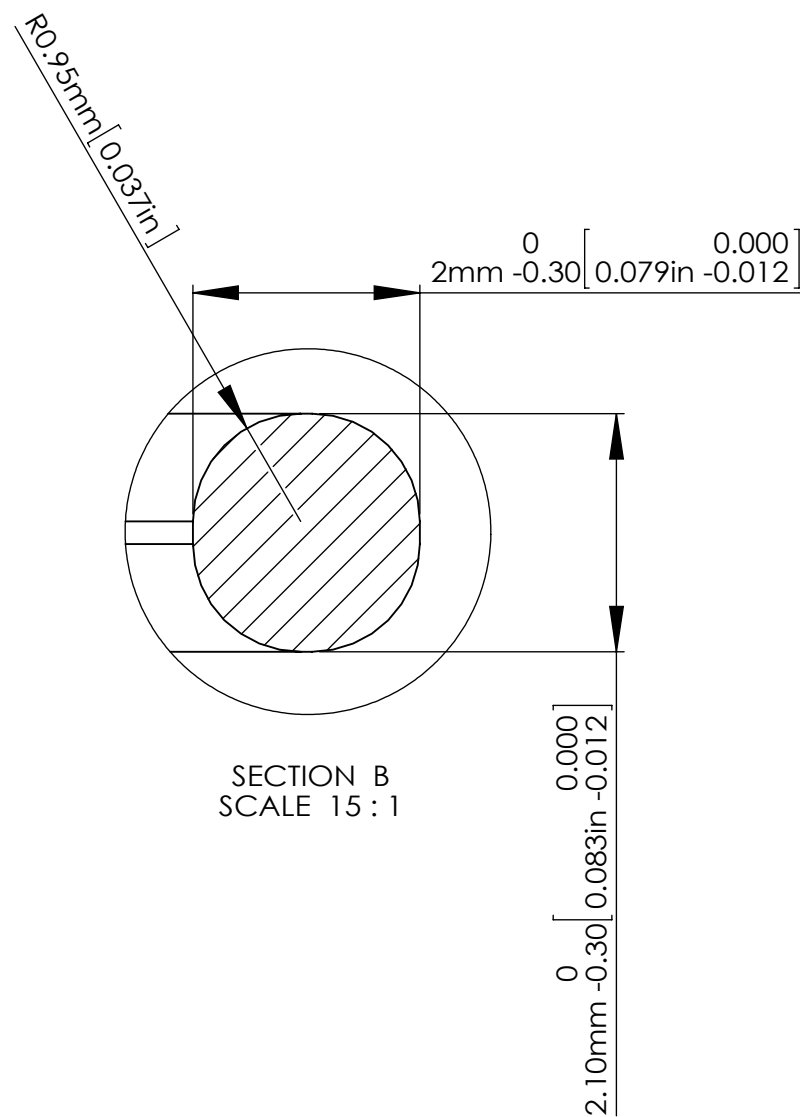
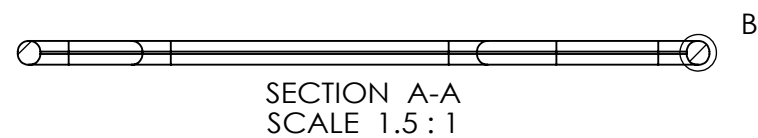
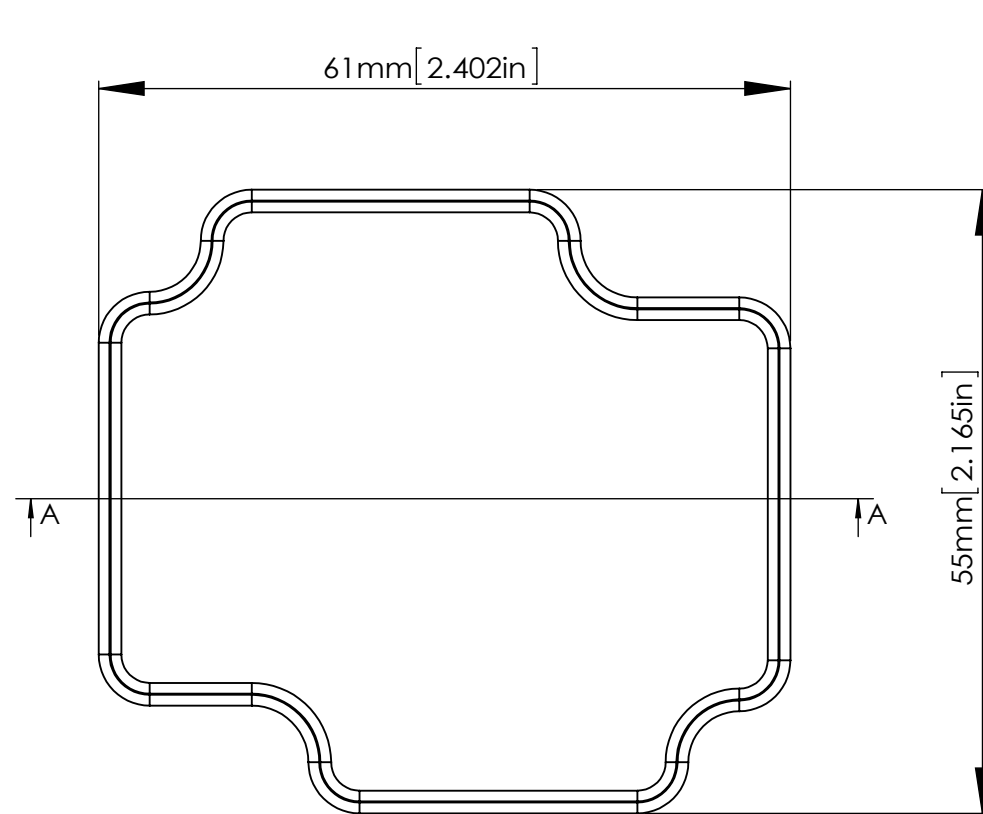
SECTION C
SCALE 3 : 1



ASSEMBLY

SECTION A-A
SCALE 1 : 1

According to ISO 2768-m	
Measuring DIM=L	Tolerances
0.5<L<=3.0mm	±0.1mm
3.0<L<=6.0 mm	±0.1mm
6.0<L<=30.0 mm	±0.2mm
30.0<L<=120.0 mm	±0.3mm
120.0<L<=400.0 mm	±0.5mm
400.0<L<=1000.0 mm	±0.8mm



According to ISO 2768-m	
Measuring DIM=L	Tolerances
0.5<L<=3.0mm	±0.1mm
3.0<L<=6.0 mm	±0.1mm
6.0<L<=30.0 mm	±0.2mm
30.0<L<=120.0 mm	±0.3mm
120.0<L<=400.0 mm	±0.5mm
400.0<L<=1000.0 mm	±0.8mm

宣又實業有限公司
GAINTA INDUSTRIES LTD.

繪圖 DRA'D BY
JACKY

日期 DATE
2020/02/20

材質 MATE.
SILICONE

圖名TITLE:
P201SEAL/A302SEAL

圖號DWG NO:

版次REVISED:
A