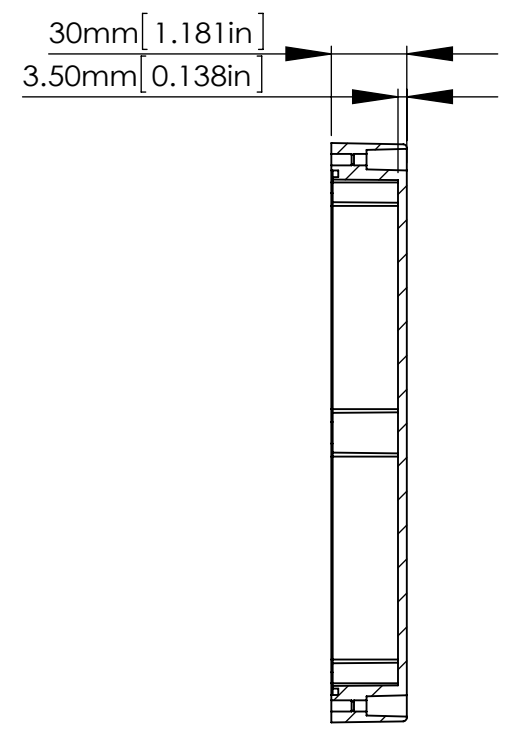
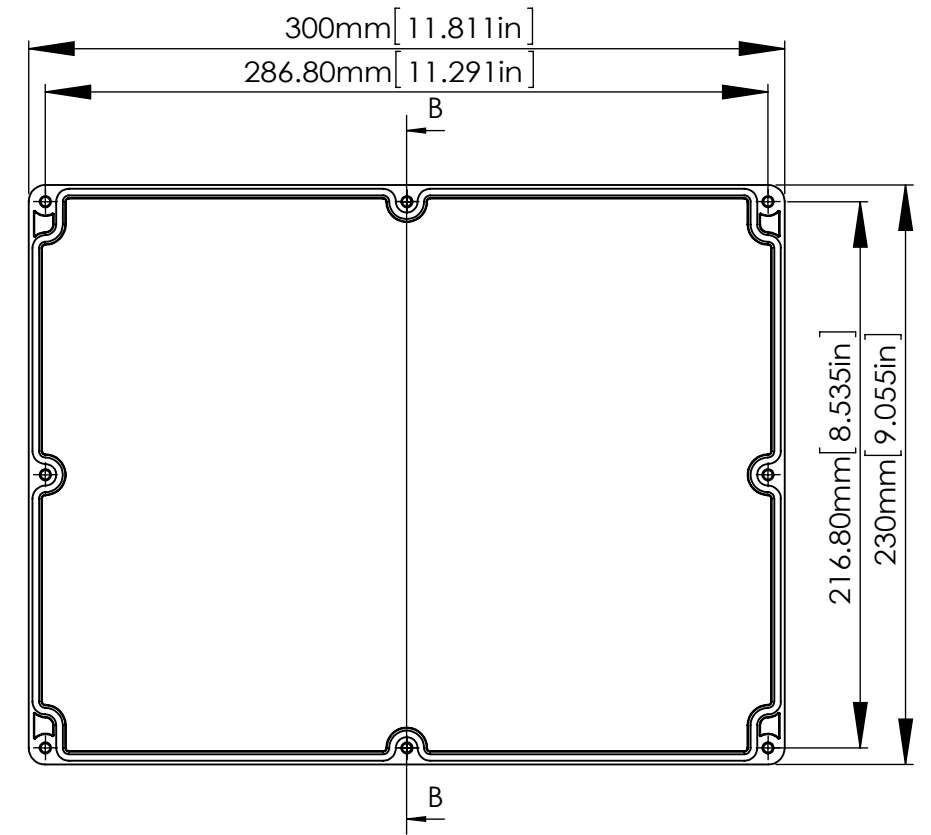
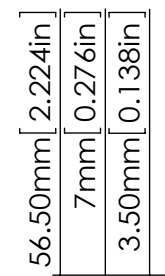
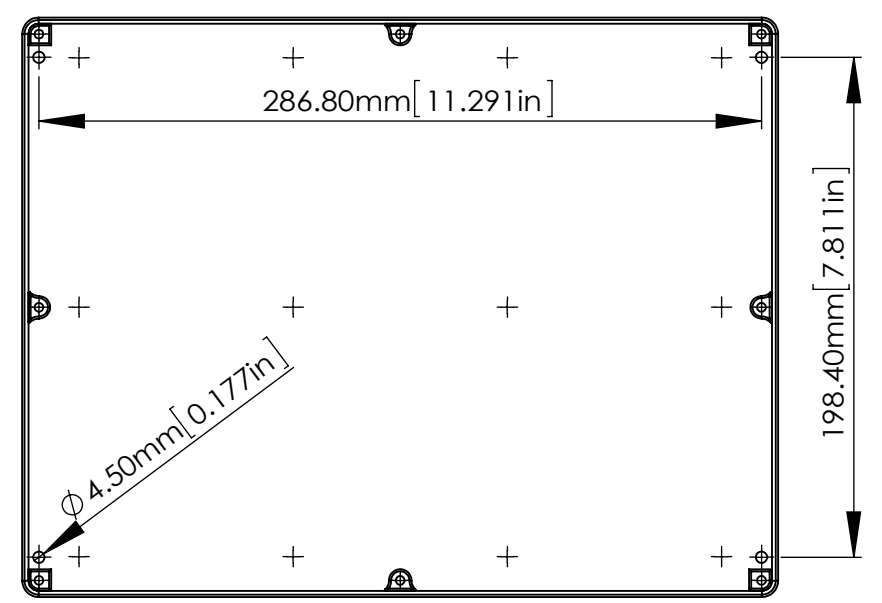


M3.5X6mm TAPPING SCREWS (NOT SUPPLIED).

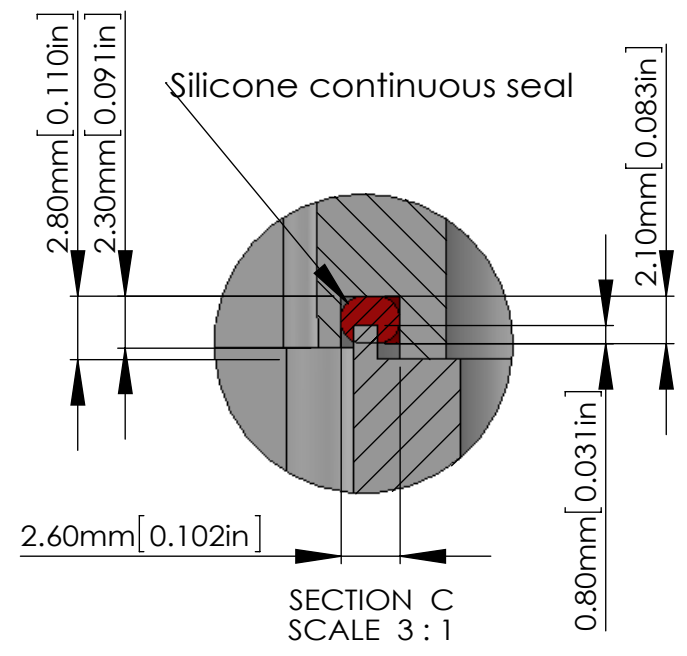
EIGHT(8)M4X25 mm PAN HEAD SCREWS.



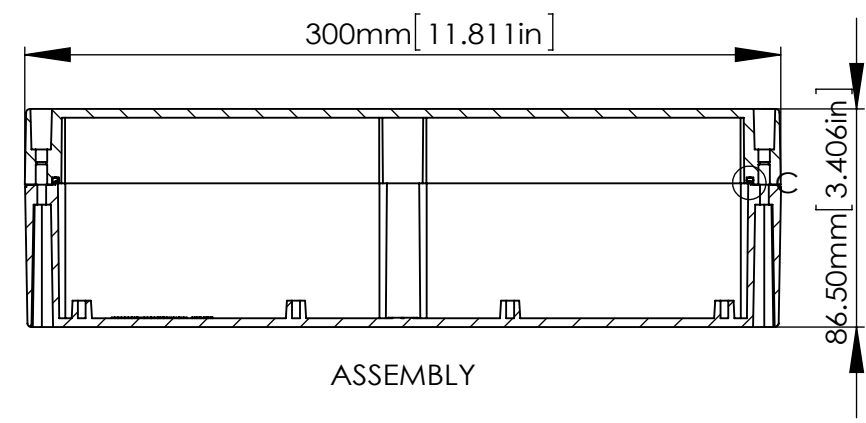
SECTION B-B
SCALE 1 : 3



SECTION A-A
SCALE 1 : 3



SECTION C
SCALE 3 : 1



ASSEMBLY

According to ISO 2768-m	
Measuring DIM=L	Tolerances
0.5<L<=3.0mm	±0.1mm
3.0<L<=6.0 mm	±0.1mm
6.0<L<=30.0 mm	±0.2mm
30.0<L<=120.0 mm	±0.3mm
120.0<L<=400.0 mm	±0.5mm
400.0<L<=1000.0 mm	±0.8mm

宣又實業有限公司
GAINTA INDUSTRIES LTD.

繪圖 DRA'D BY
JACKY

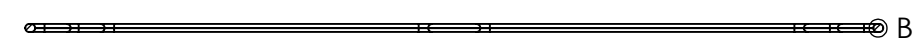
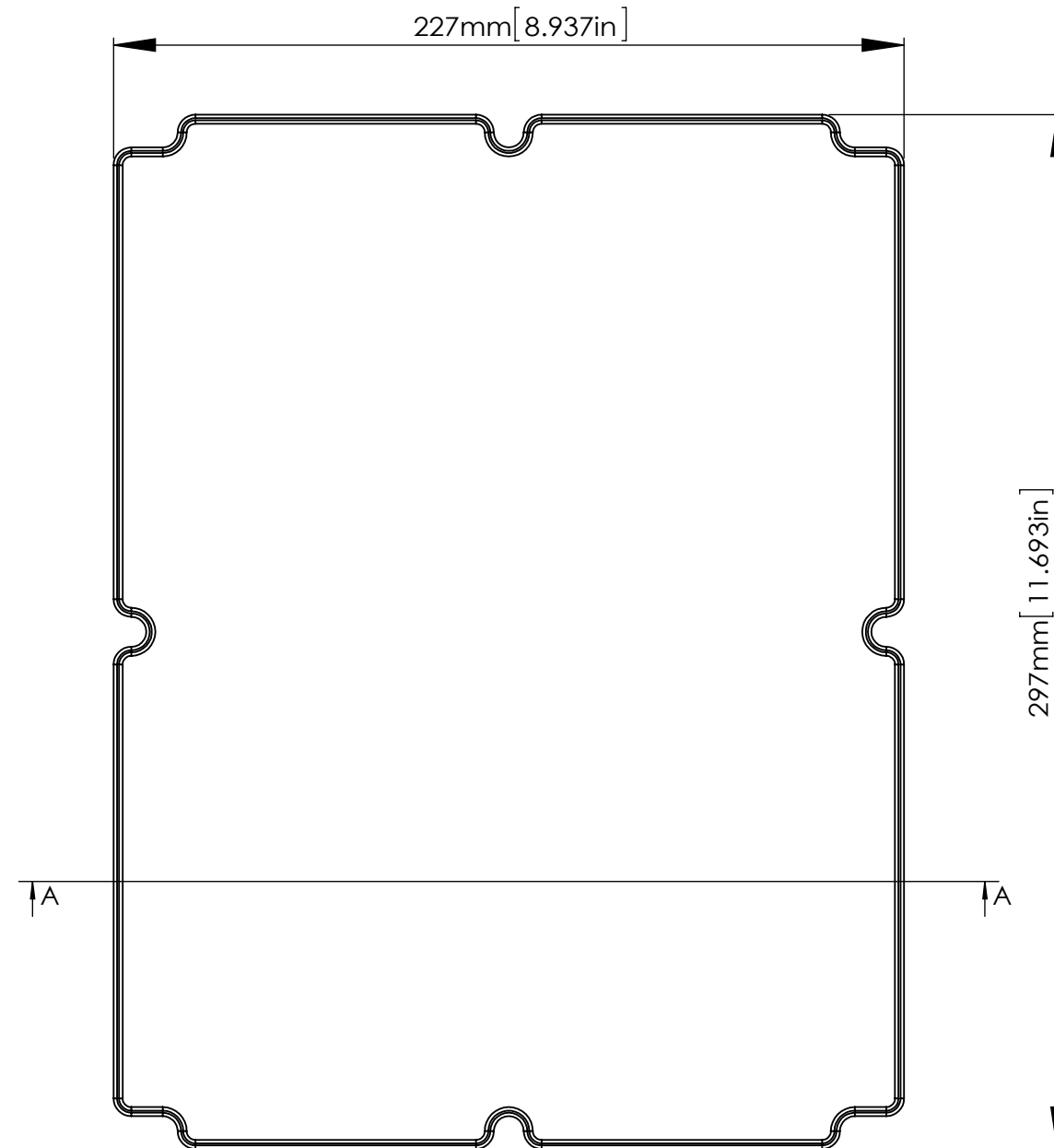
日期 DATE
2020/02/20

材質 MATE.
PC/ABS

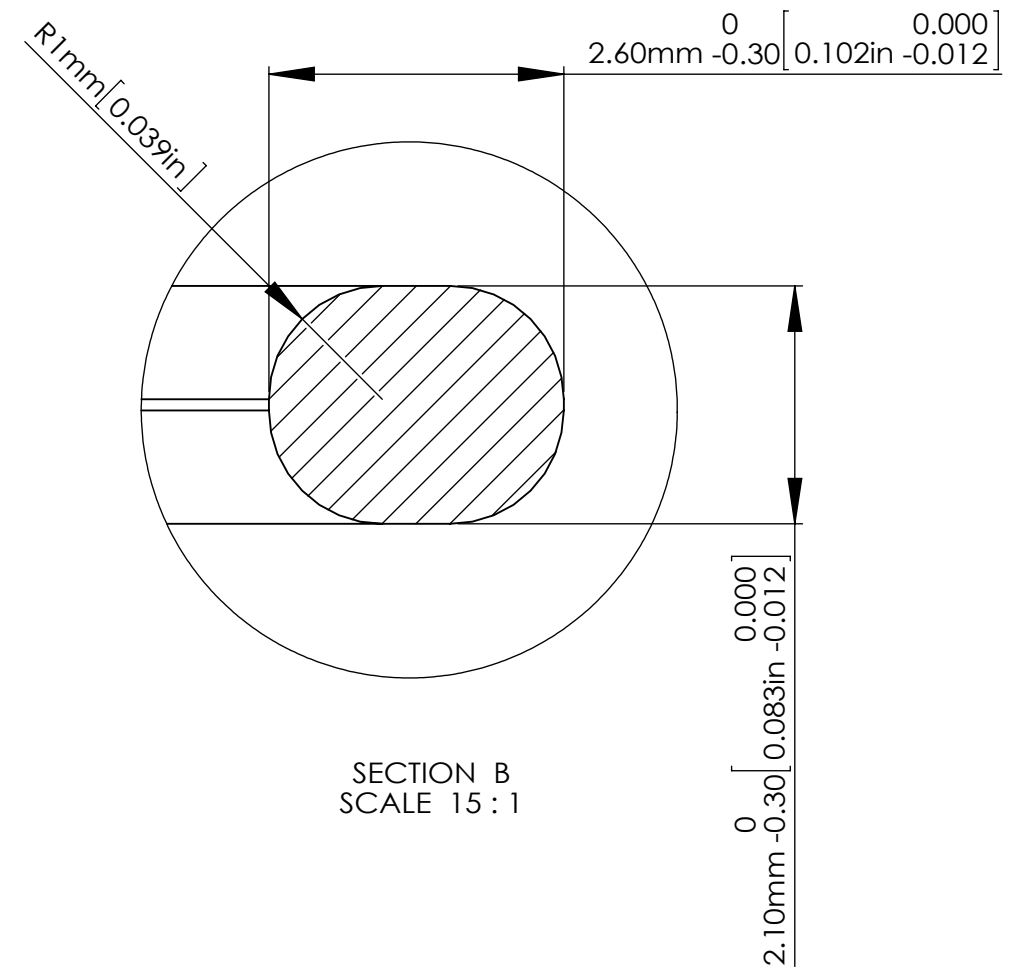
圖名TITLE:
P20295-IP68/A30285-IP68

圖號DWG NO:

版次REVISED:
A



SECTION A-A



SECTION B
SCALE 15:1

According to ISO 2768-m	
Measuring DIM=L	Tolerances
0.5<L<=3.0mm	±0.1mm
3.0<L<=6.0 mm	±0.1mm
6.0<L<=30.0 mm	±0.2mm
30.0<L<=120.0 mm	±0.3mm
120.0<L<=400.0 mm	±0.5mm
400.0<L<=1000.0 mm	±0.8mm

宣又實業有限公司
GAINTA INDUSTRIES LTD.

繪圖 DRA'D BY
JACKY

日期 DATE
2020/02/20

材質 MATE.
SILICONE

圖名TITLE:
P20295SEAL/A30285SEAL;
P20385SEAL/A30312SEAL

圖號DWG NO:

版次REVISED:
A