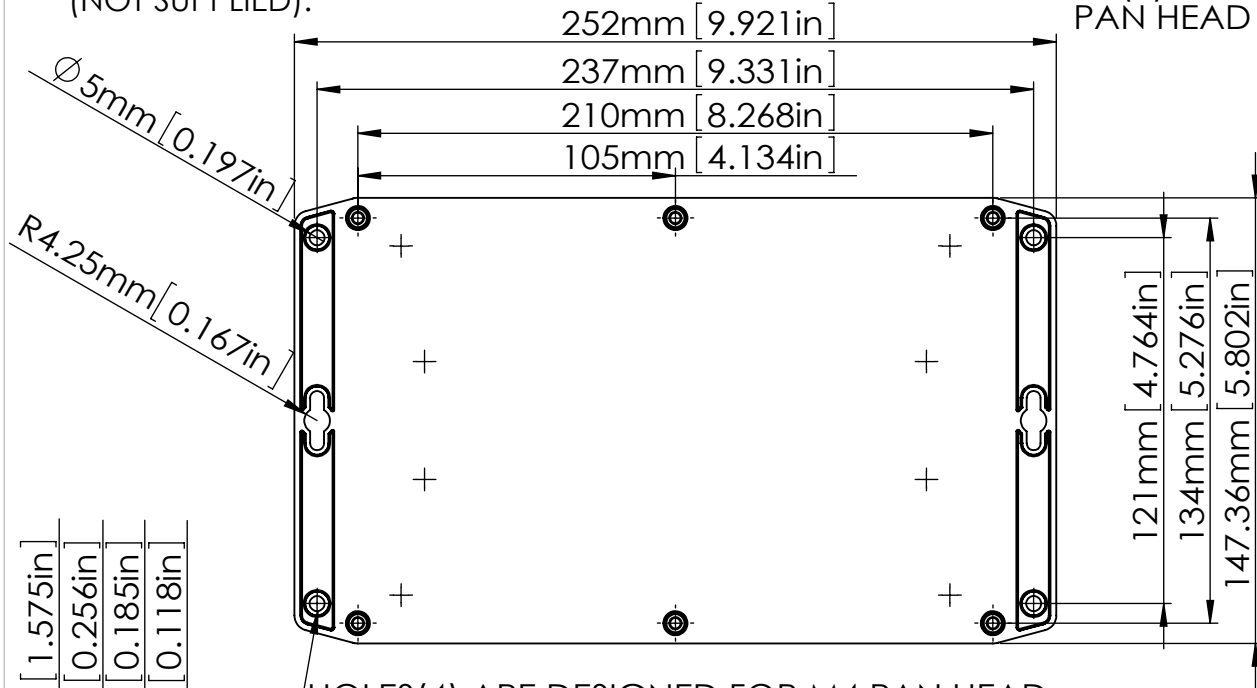


M3X4mm SELF-TAPPING SCREWS (NOT SUPPLIED).

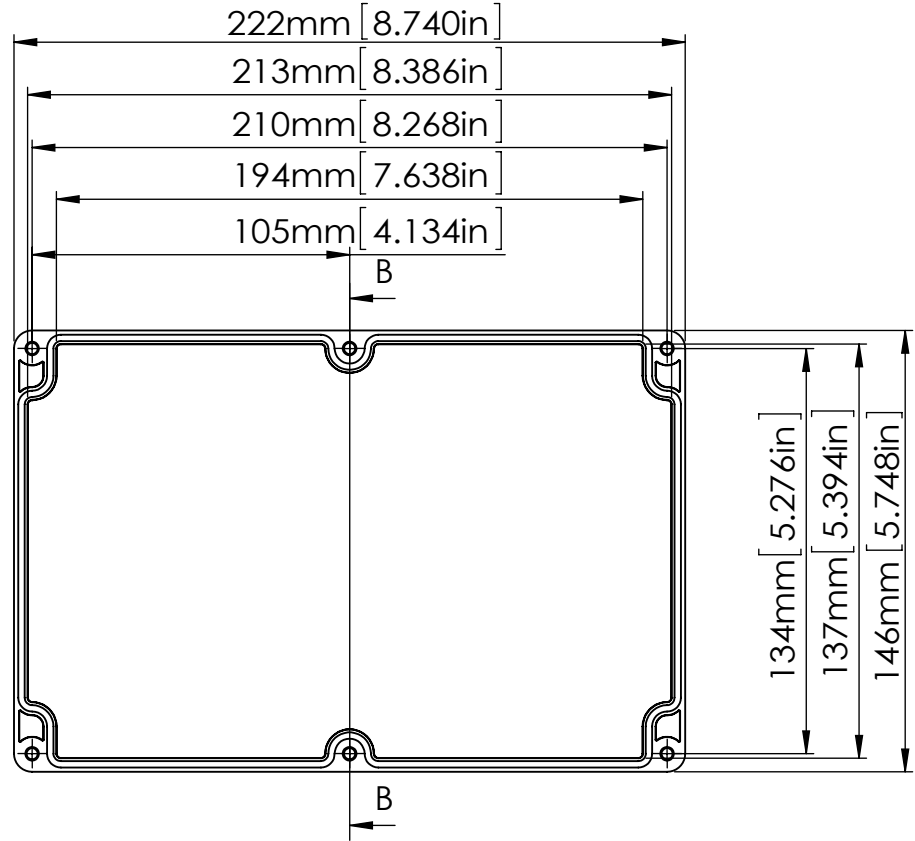
SIX(6) M4X20mm PAN HEAD SCREWS.



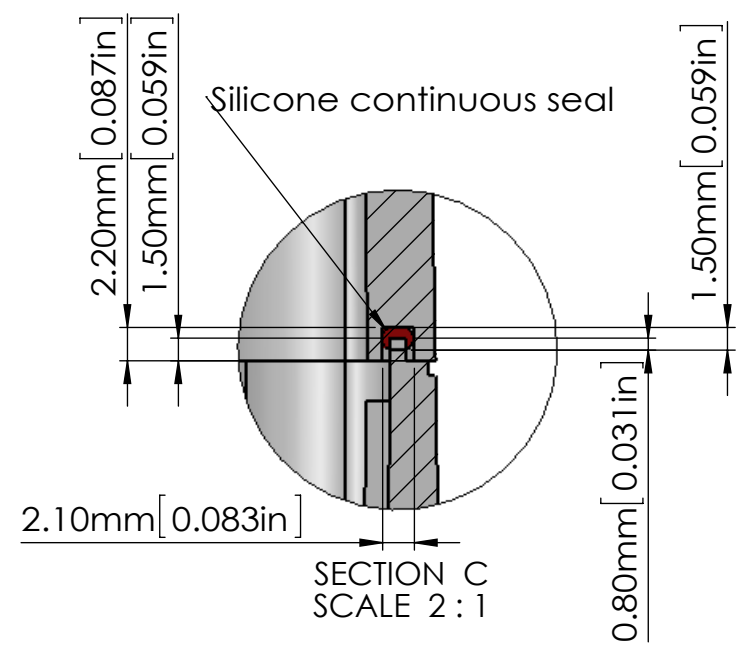
HOLES(4) ARE DESIGNED FOR M4 PAN HEAD SCREWS(NOT SUPPLIED).



SECTION A-A
SCALE 2 : 5



SECTION B-B
SCALE 2 : 5



SECTION C
SCALE 2 : 1

According to ISO 2768-m	
Measuring DIM=L	Tolerances
0.5<L<=3.0mm	±0.1mm
3.0<L<=6.0 mm	±0.1mm
6.0<L<=30.0 mm	±0.2mm
30.0<L<=120.0 mm	±0.3mm
120.0<L<=400.0 mm	±0.5mm
400.0<L<=1000.0 mm	±0.8mm

宣又實業有限公司
GAINTA INDUSTRIES LTD.

繪圖 DRA'D BY
JACKY

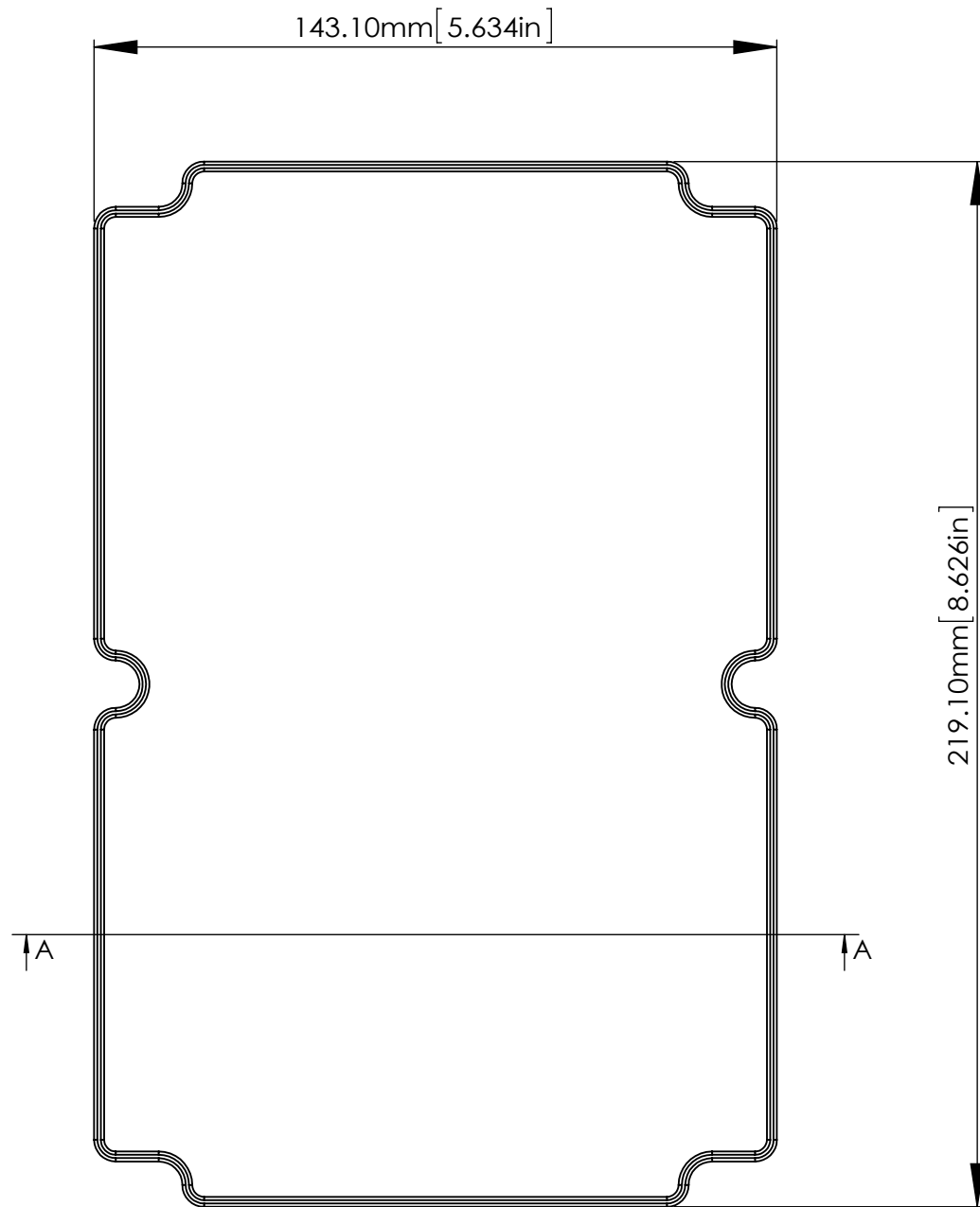
日期 DATE
2020/03/10

材質 MATE.
PC/ABS

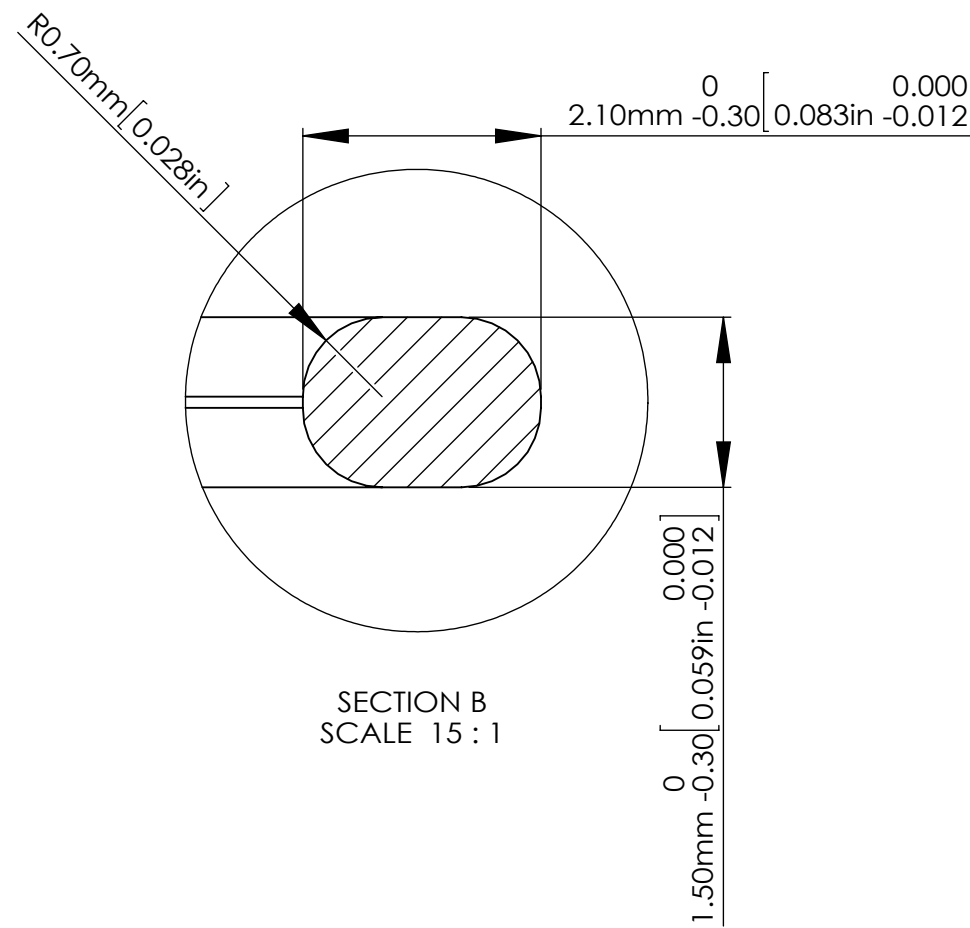
圖名TITLE:
P218MF-IP68/A317MF-IP68

圖號DWG NO:

版次REVISID:
A



SECTION A-A
SCALE 2:3



SECTION B
SCALE 15:1

According to ISO 2768-m	
Measuring DIM=L	Tolerances
0.5<L<=3.0mm	±0.1mm
3.0<L<=6.0 mm	±0.1mm
6.0<L<=30.0 mm	±0.2mm
30.0<L<=120.0 mm	±0.3mm
120.0<L<=400.0 mm	±0.5mm
400.0<L<=1000.0 mm	±0.8mm

宣又實業有限公司
GAINTA INDUSTRIES LTD.

繪圖 DRA'D BY
JACKY

日期 DATE
2020/02/20

材質 MATE.
SILICONE

圖名TITLE:
P218SEAL/A317SEAL;
P232SEAL/A353SEAL

圖號DWG NO:

版次REVISED:
A