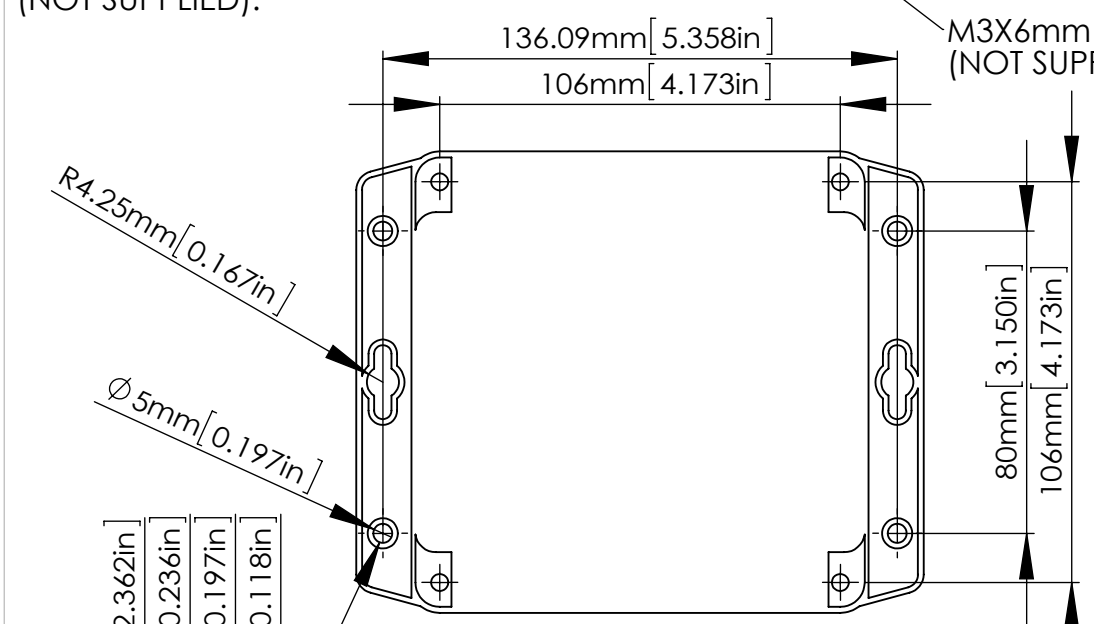
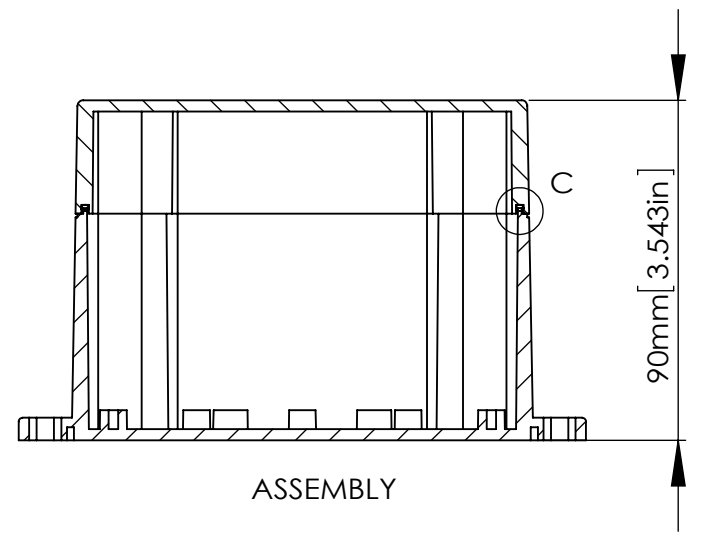
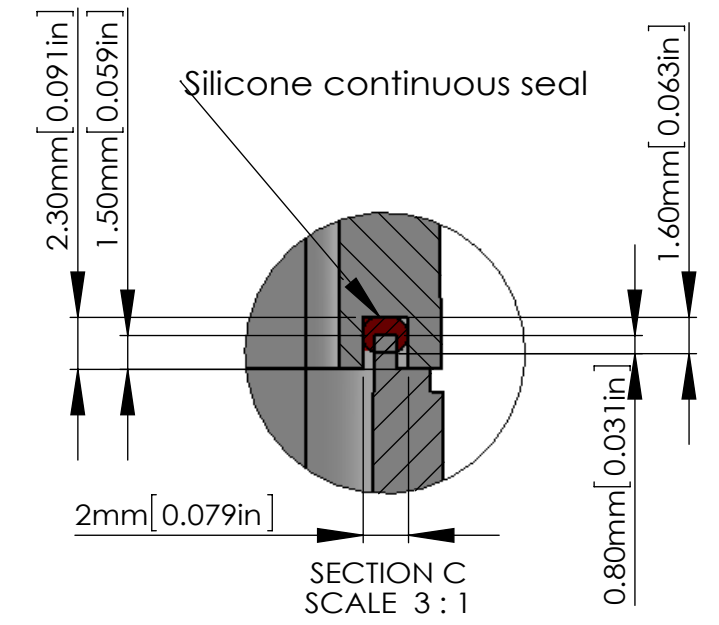


M5X6mm SELF-TAPPING SCREWS (NOT SUPPLIED).

M3X6mm SELF-TAPPING SCREWS (NOT SUPPLIED).

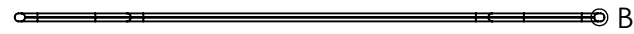
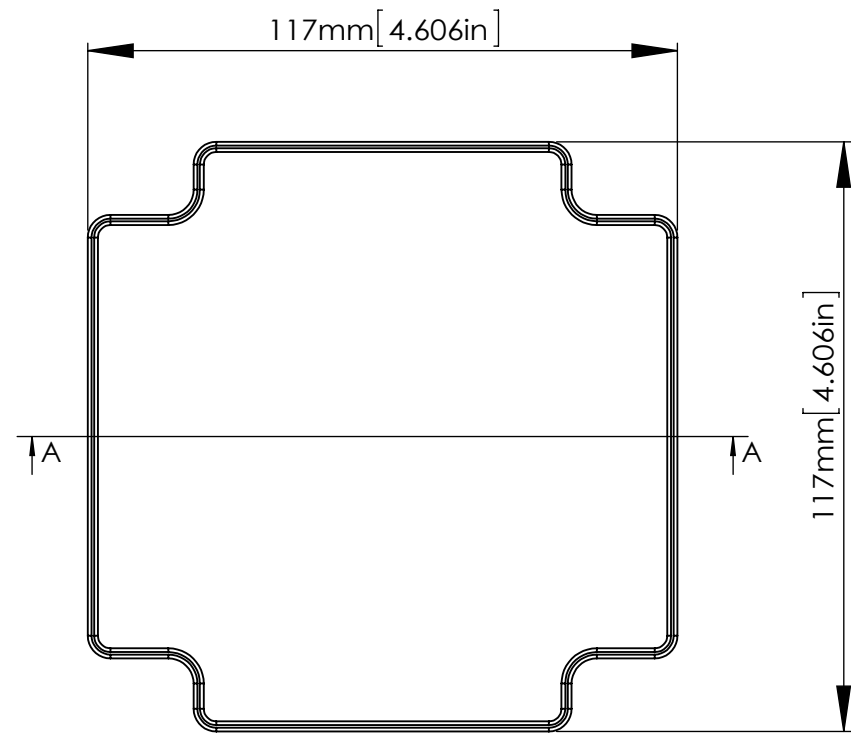


HOLES (4) ARE DESIGNED FOR M4 PAN HEAD SCREWS (NOT SUPPLIED).

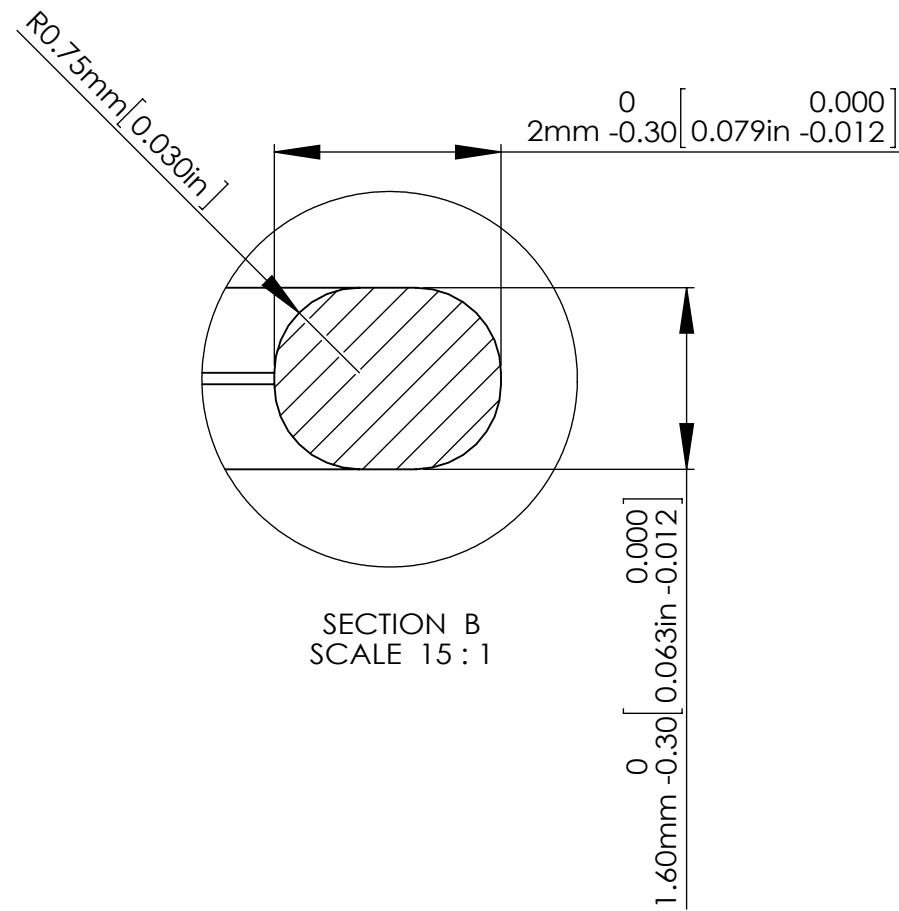


According to ISO 2768-m	
Measuring DIM=L	Tolerances
0.5<L<=3.0mm	±0.1mm
3.0<L<=6.0 mm	±0.1mm
6.0<L<=30.0 mm	±0.2mm
30.0<L<=120.0 mm	±0.3mm
120.0<L<=400.0 mm	±0.5mm
400.0<L<=1000.0 mm	±0.8mm

宣又實業有限公司 GAINTA INDUSTRIES LTD.	繪圖	DRA'D BY	日期	DATE	材質	MATE.	圖名TITLE:	圖號DWG NO:	版次REVISED:
		JACKY	2020/03/10		PC/ABS		P279MF-IP68/A387MF-IP68		A



SECTION A-A  
SCALE 2 : 3



SECTION B  
SCALE 15 : 1

According to ISO 2768-m	
Measuring DIM=L	Tolerances
0.5<L<=3.0mm	±0.1mm
3.0<L<=6.0 mm	±0.1mm
6.0<L<=30.0 mm	±0.2mm
30.0<L<=120.0 mm	±0.3mm
120.0<L<=400.0 mm	±0.5mm
400.0<L<=1000.0 mm	±0.8mm

宣又實業有限公司  
GAINTA INDUSTRIES LTD.

繪圖 DRA'D BY  
JACKY

日期 DATE  
2020/02/20

材質 MATE.  
SILICONE

圖名TITLE:  
P278SEAL/A386SEAL;  
P279SEAL/A387SEAL

圖號DWG NO:

版次REVISED:  
A