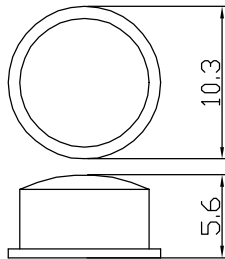
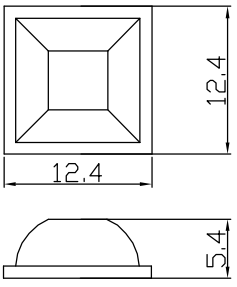
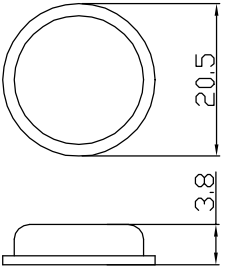

RF-6002	RF-6006	RF-6010
		
RF-6004	RF-6009	RF-6011

MATERIAL:PU ( SELF-ADHESIVE/ WITH 3M GLUE ) ; COLOR: CLEAR

宜又實業有限公司 GAINTA INDUSTRIES LTD.	設計 DES'D BY 	繪圖 DRA'D BY JAKY	核圖 CHK'D BY 	比例 SCALE 	日期 DATE 2008/3/3	材質 MATE. PU	圖名 TITLE: 	圖號 DWG NO.: 	版次 REVISION A	說明 DESCRIPTION Unit:mm
------------------------------------	-----------------	---------------------	-----------------	--------------	---------------------	----------------	---------------	-----------------	------------------	---------------------------